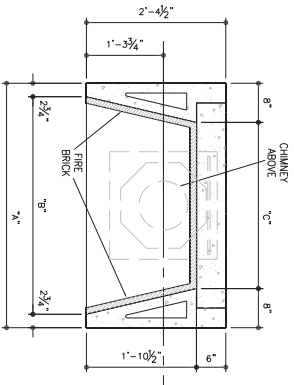


**CHIMNEY PLAN** SCALE: 1" = 1'-0"

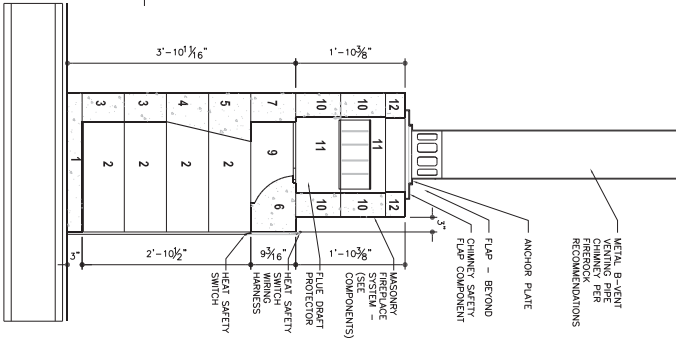
FIREPLACE SIZE	DM A	DM B	DAMPER SIZE
30"	38"	32 1/2"	24"
36"	44"	38 1/2"	30"
42"	50"	44 1/2"	36"
48"	56"	50 1/2"	42"

42" SIZE SHOWN TO SCALE - THIS DRAWING

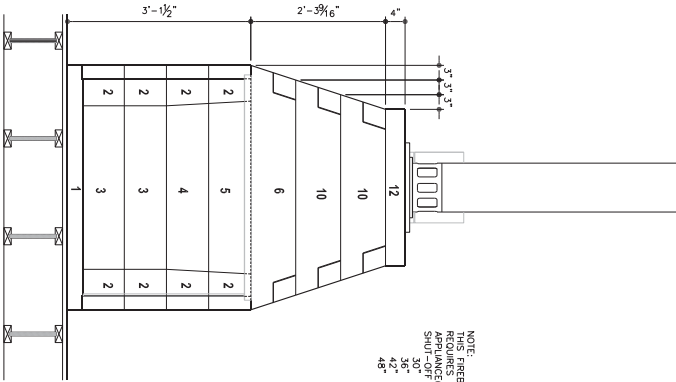


**FIREBOX PLAN** SCALE: 1" = 1'-0"

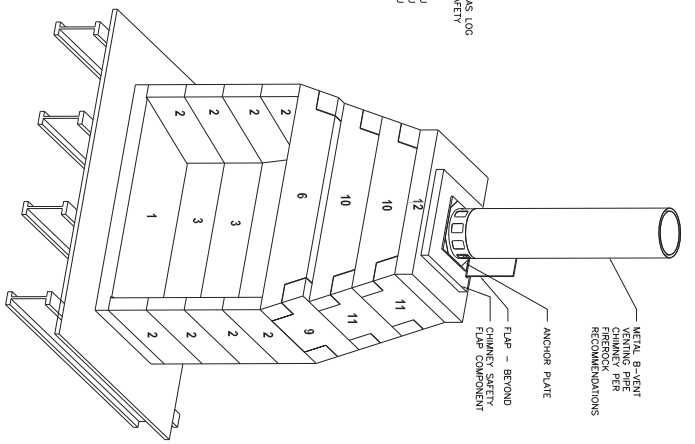
#	COMPONENT NAME
1	BASE PLATE
2	FIREBOX SIDE
3	FIREBOX BACK STRAIGHT BACK BLOCK
4	FIREBOX BACK LEVEL 3
5	FIREBOX BACK LEVEL 4
6	RADIUS THROAT FRONT
7	SQUARE THROAT BACK
8	THROAT LEFT SIDE
9	THROAT RIGHT SIDE
10	SMOKE CHAMBER FRONT AND BACK
11	UNIVERSAL SMOKE CHAMBER SIDES
12	CHIMNEY BASE



**SECTION A-A** SCALE: 1" = 1'-0"



**FRONT ELEVATION** SCALE: 1" = 1'-0"



**ISOMETRIC** SCALE: 1" = 1'-0"

**FireRock**  
The fireplace, rekindled.  
**B-VENT  
FIREPLACE  
SYSTEM**