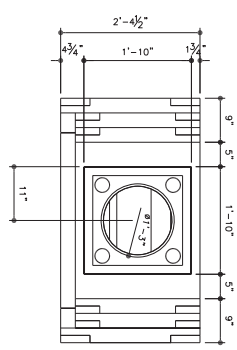


**FireRock**  
The fireplace, rekindled.

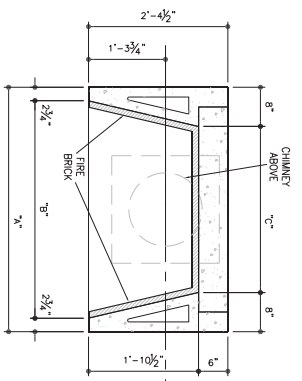
**CONVENTIONAL  
FIREPLACE  
SYSTEM**



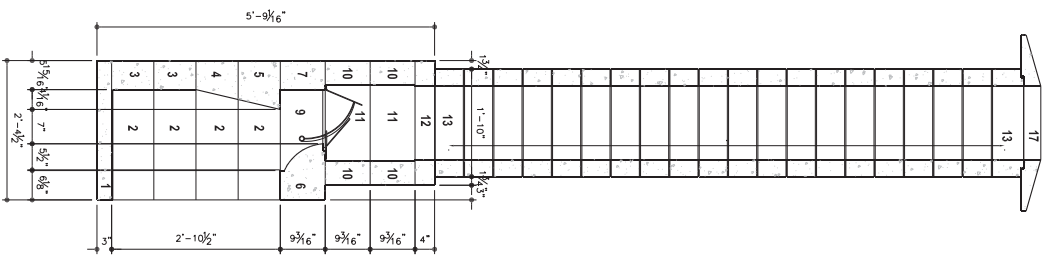
**CHIMNEY PLAN** SCALE: 3/4" = 1'-0"

FIREPLACE SIZE	DIM A	DIM B	DAMPER SIZE
30	38"	32 1/2"	24"
36	44"	38 1/2"	30"
42	50"	44 1/2"	36"
48	56"	50 1/2"	42"

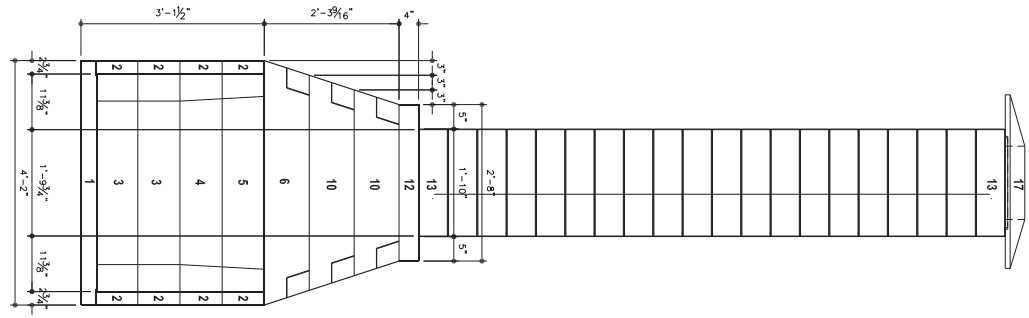
42" SIZE SHOWN TO SCALE - THIS DRAWING



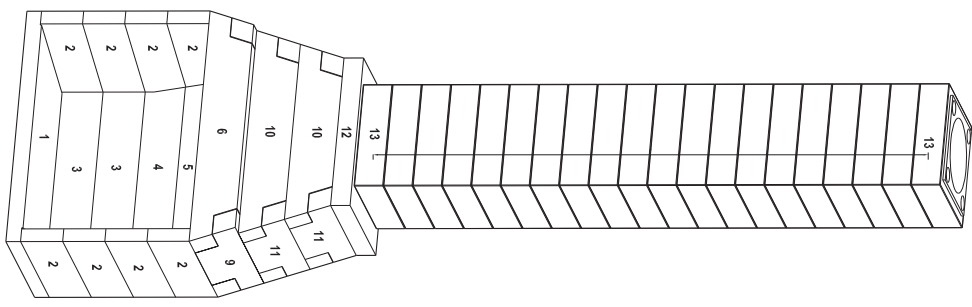
**FIREBOX PLAN** SCALE: 3/4" = 1'-0"



**SECTION A-A**  
SCALE: 1" = 1'-0"



**FRONT ELEVATION**  
SCALE: 1" = 1'-0"



**ISOMETRIC**  
SCALE: 1" = 1'-0"

#	COMPONENT NAME
1	BASE PLATE
2	FIREBOX SIDE
3	FIREBOX BACK- STRAIGHT BACK BLOCK
4	FIREBOX BACK- LEVEL 3
5	FIREBOX BACK- LEVEL 4
6	RADIUS THROAT FRONT
7	SQUARE THROAT BACK
8	THROAT LEFT SIDE
9	THROAT RIGHT SIDE
10	SMOKE CHAMBER FRONT AND BACK
11	UNIVERSAL SMOKE CHAMBER SIDES
12	CHIMNEY BASE
13	CHIMNEY BLOCK
17	CHIMNEY CAP

RELEASE DATE: 04/02/09  
SCALE: 1" = 1'-0"

**SHEET**  
**CNV**