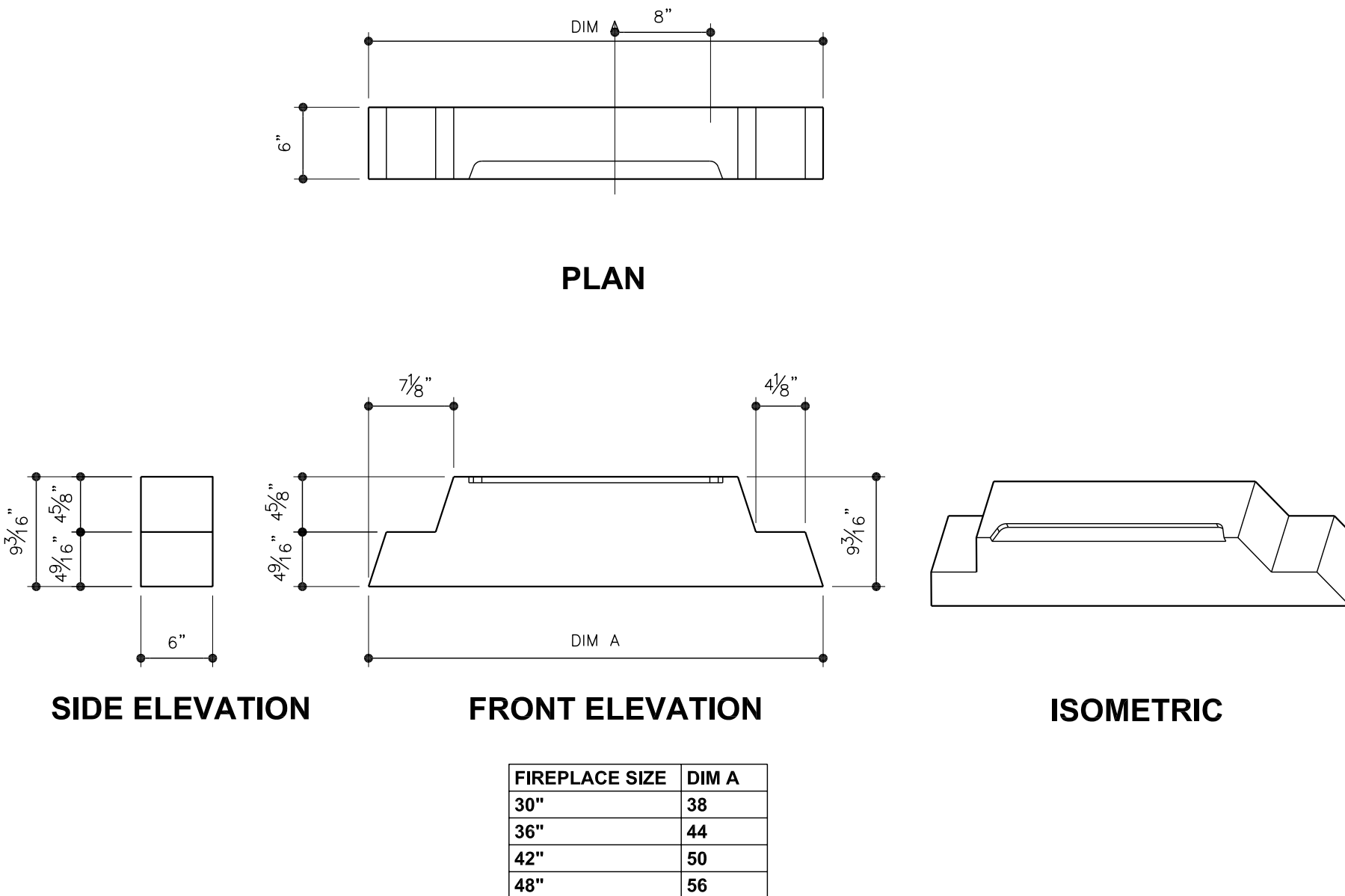
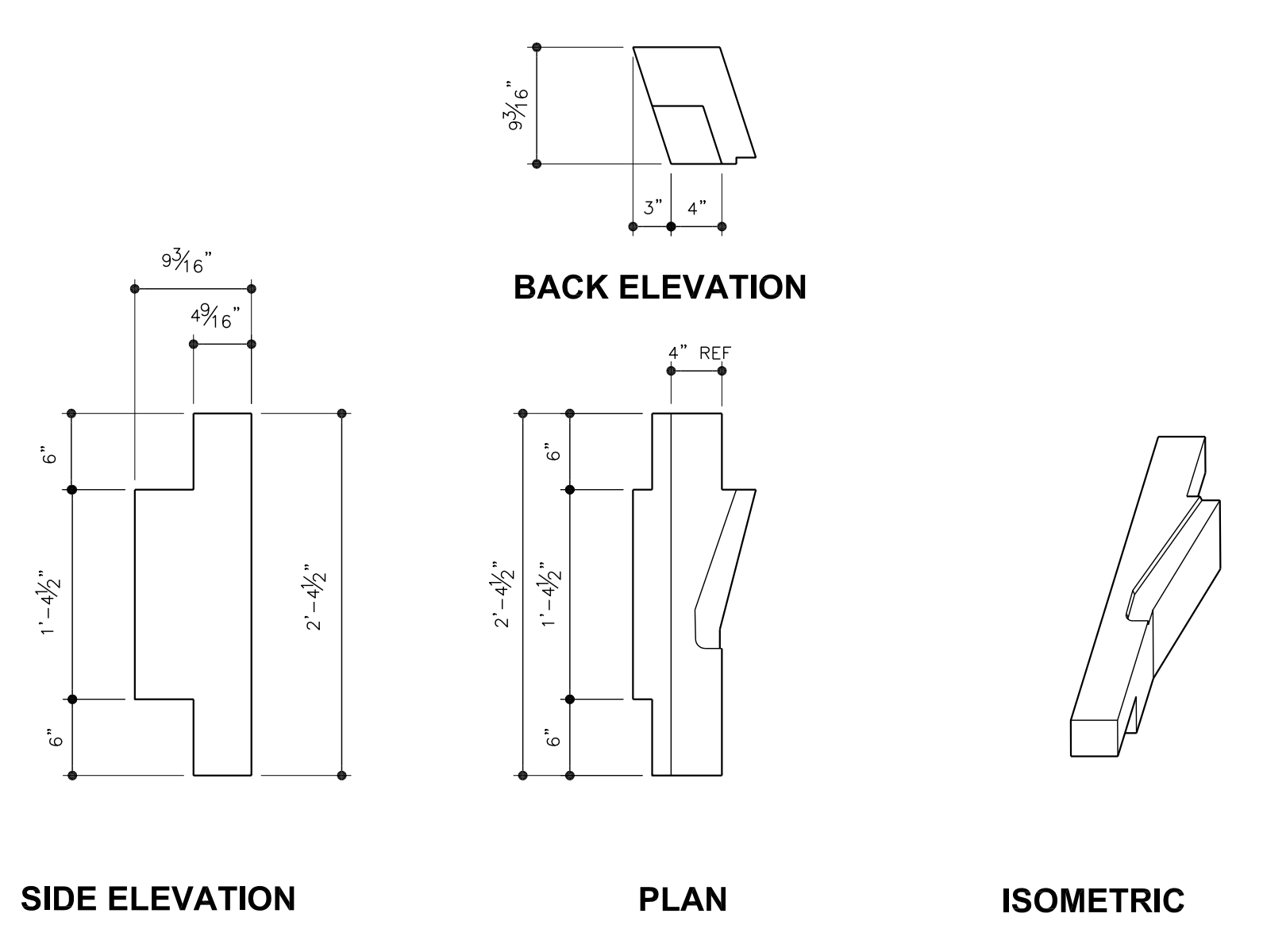


FireRock

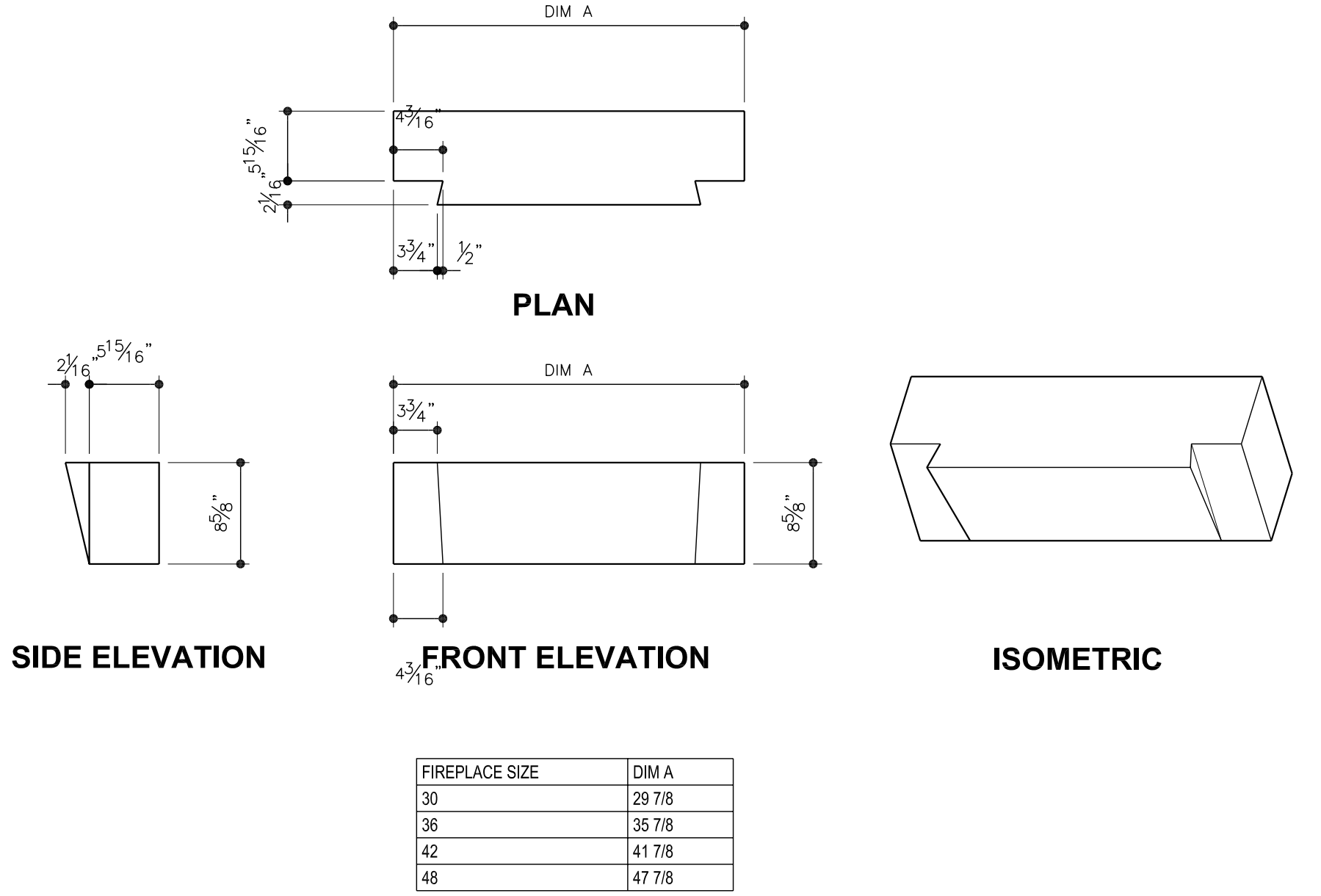
The fireplace, *rekindled.*
**LITEROCK FIREPLACE-
 INDIVIDUAL COMPONENTS**



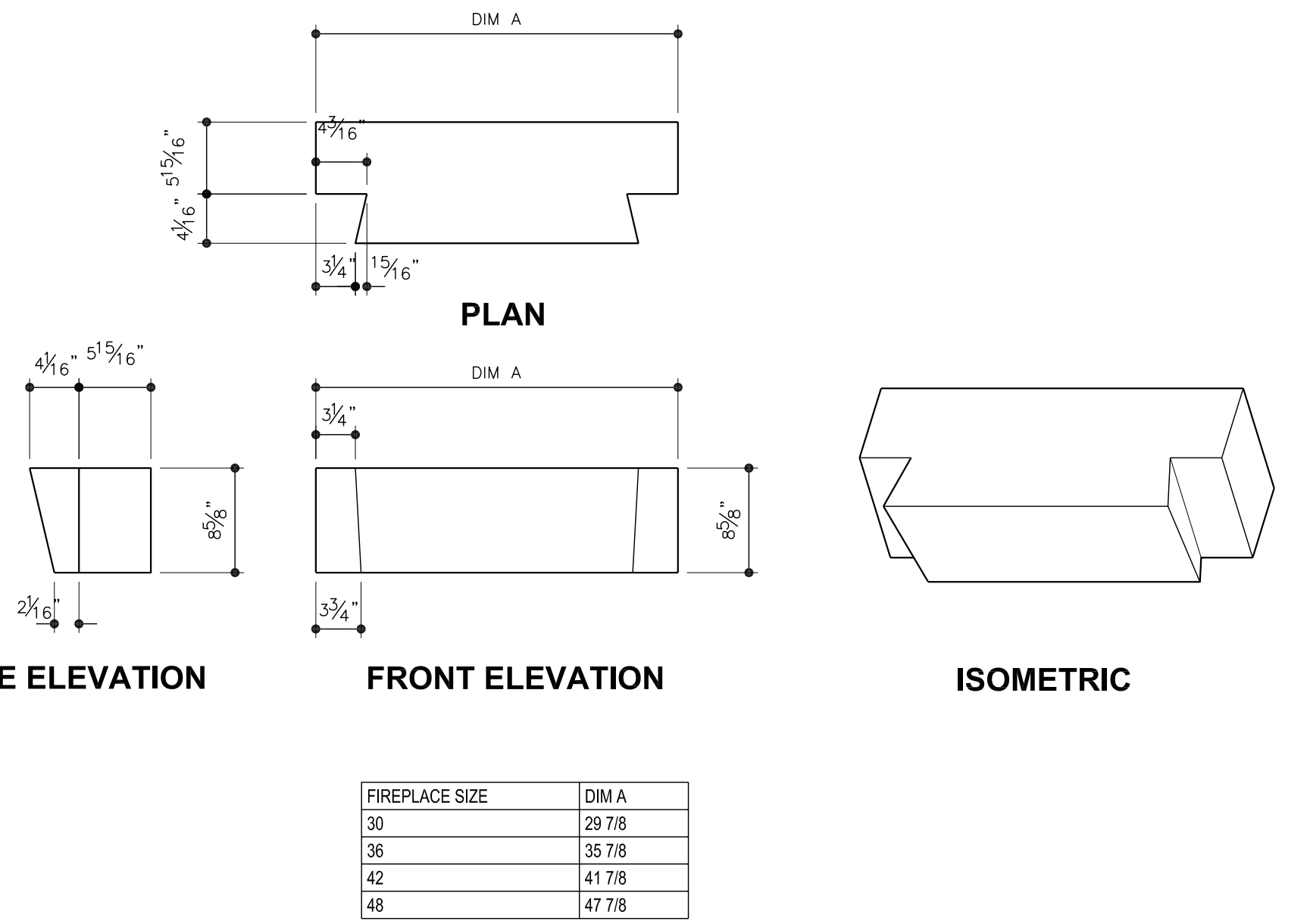
7 SQUARE THROAT BACK SCALE: 1" = 1'-0"



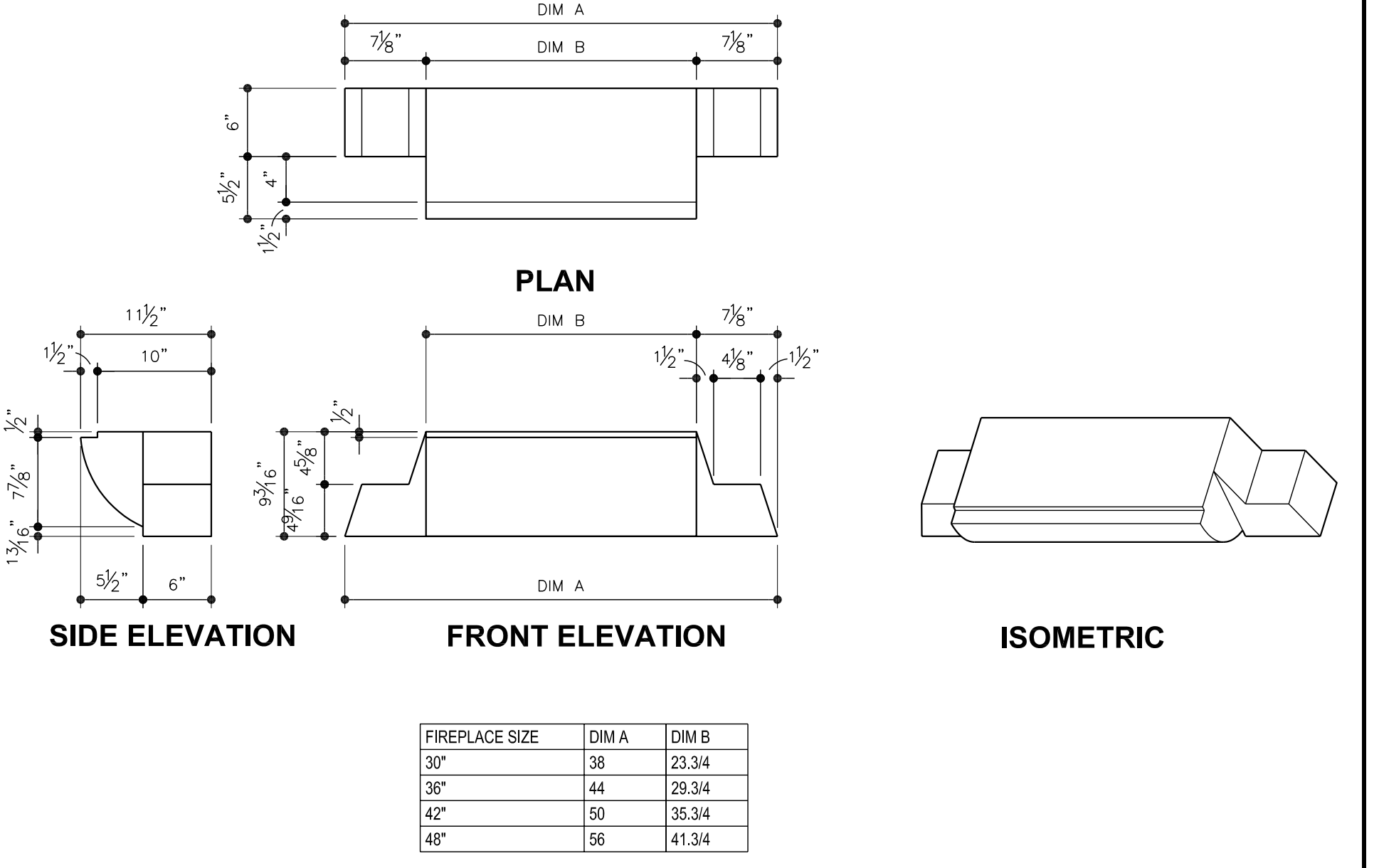
8 THROAT LEFT SIDE SCALE: 1" = 1'-0"



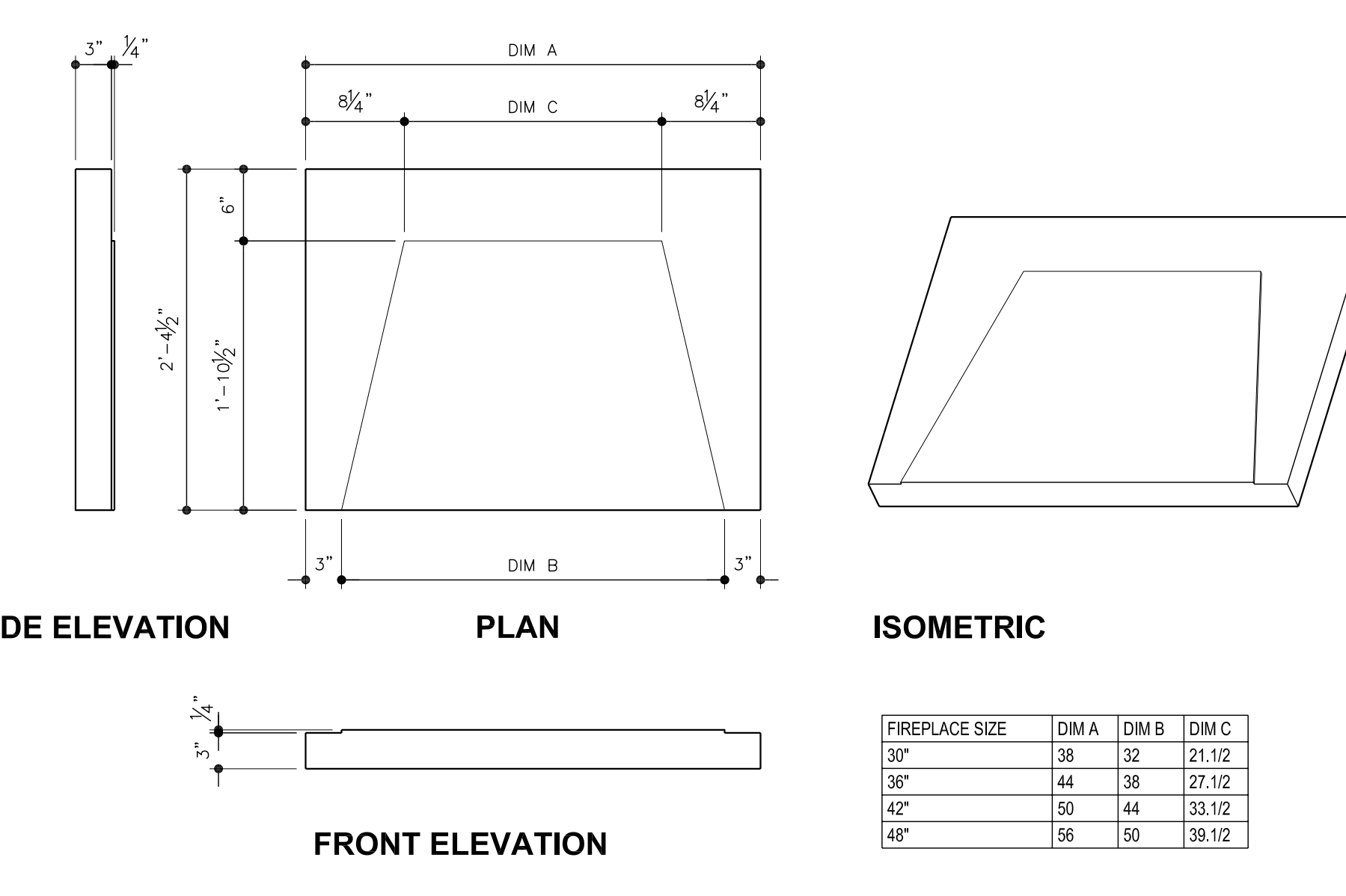
4 FIREBOX BACK- LEVEL 3 SCALE: 1" = 1'-0"



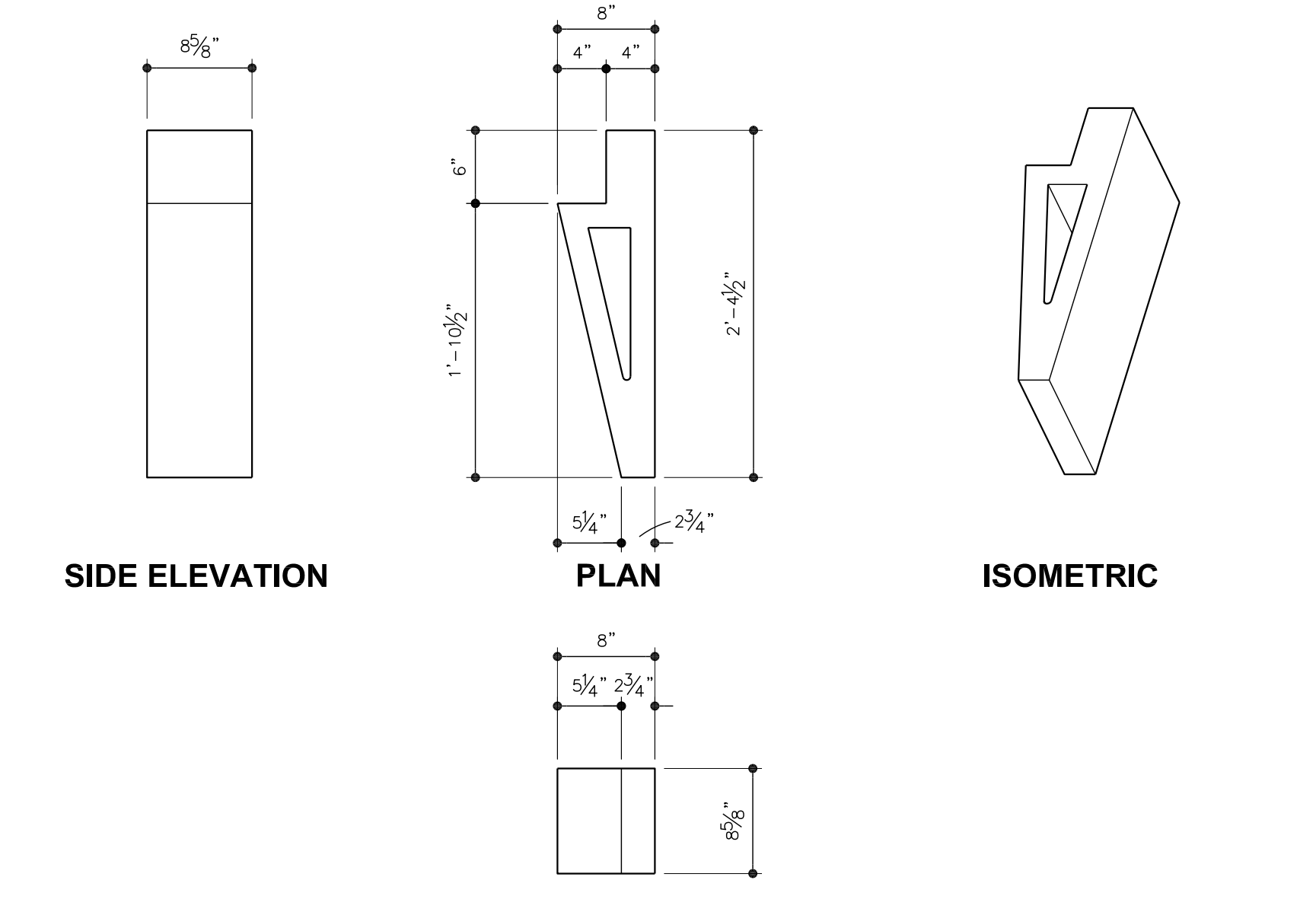
5 FIREBOX BACK- LEVEL 4 SCALE: 1" = 1'-0"



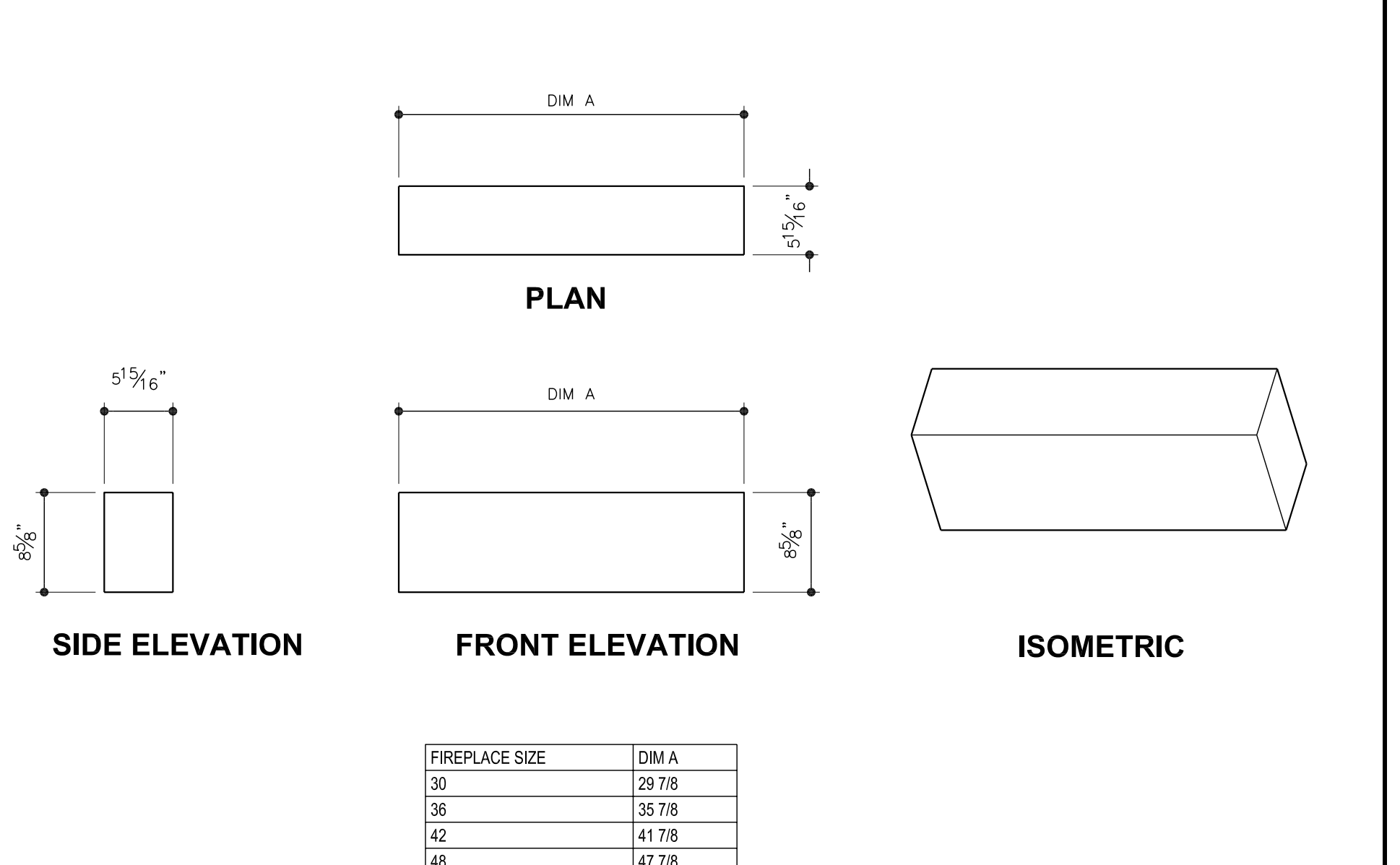
6 RADIUS THROAT FRONT SCALE: 1" = 1'-0"



1 BASE PLATE SCALE: 1" = 1'-0"



2 FIREBOX SIDE SCALE: 1" = 1'-0"



3 FIREBOX BACK- STRAIGHT BACK BLOCK SCALE: 1" = 1'-0"

RELEASE DATE **04/02/09**

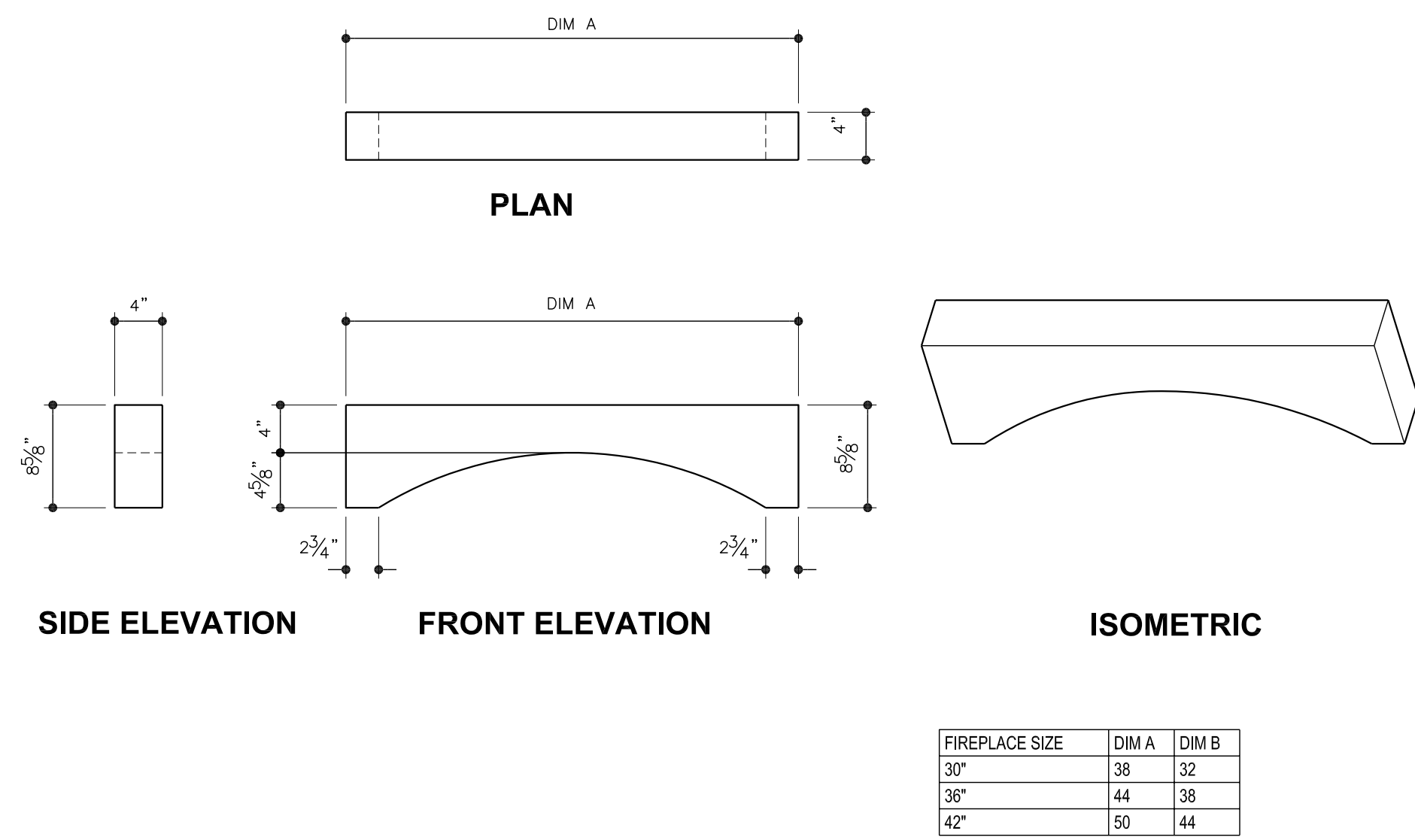
SCALE **1" = 1'-0"**

SHEET

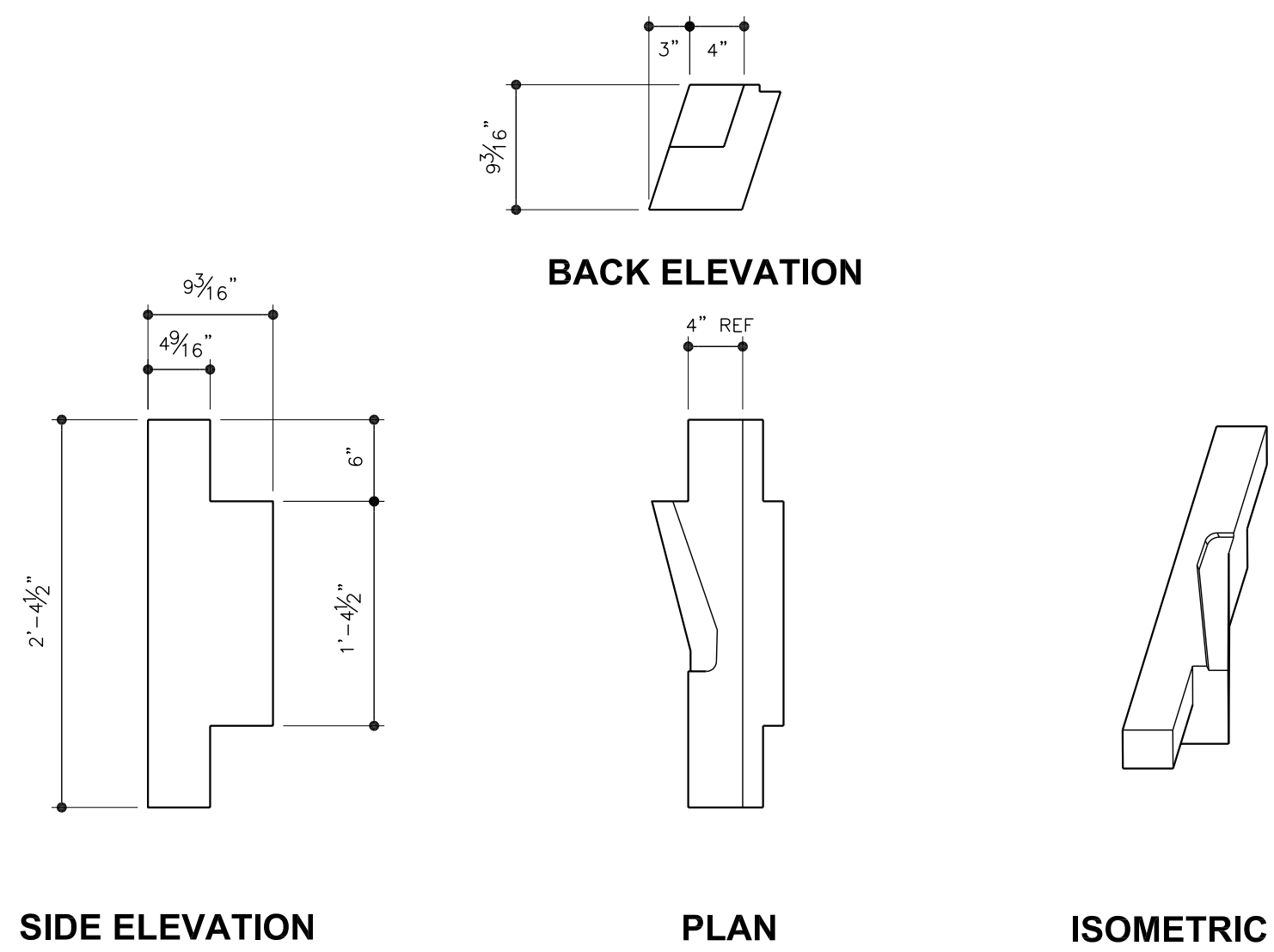
BV-1

FireRock

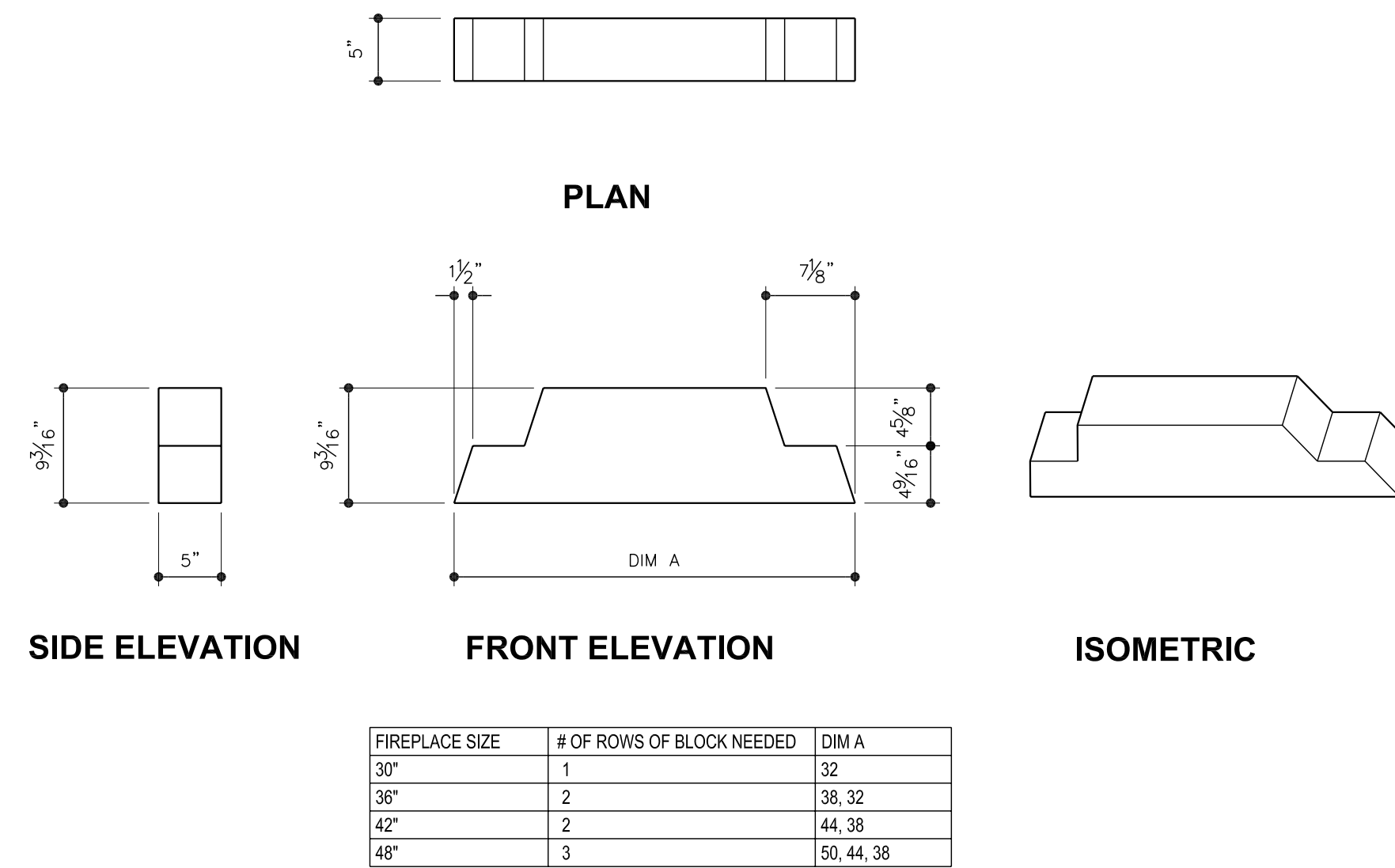
The fireplace, *rekindled.*
**B-VENT FIREPLACE-
 INDIVIDUAL COMPONENTS**



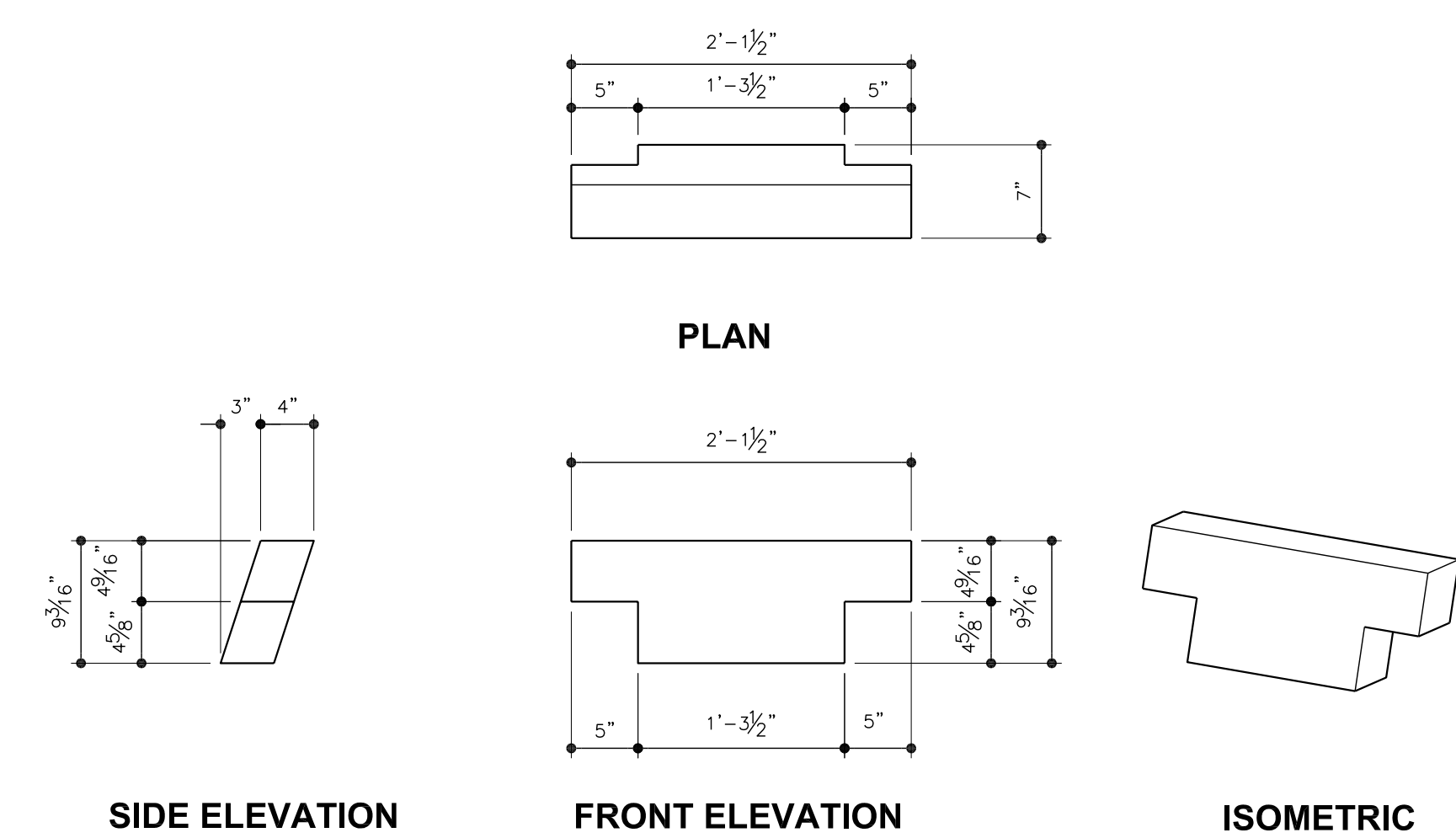
20 FIREBOX ARCHED HEADER (OPTIONAL) SCALE: 1" = 1'-0"



9 THROAT RIGHT SIDE SCALE: 1" = 1'-0"



10 SMOKE CHAMBER FRONT AND BACK SCALE: 1" = 1'-0"



11 UNIVERSAL SMOKE CHAMBER SIDES SCALE: 1" = 1'-0"