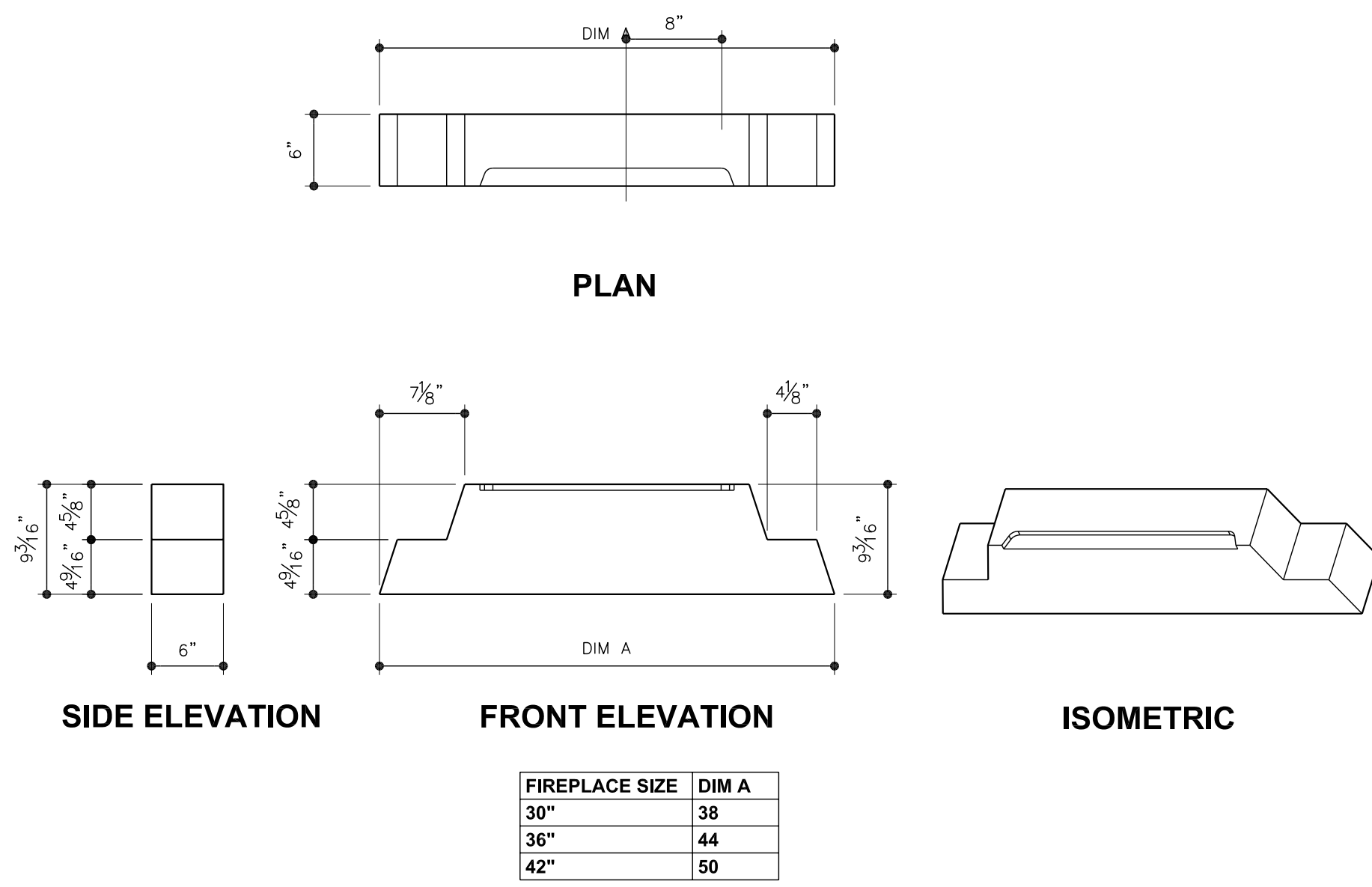


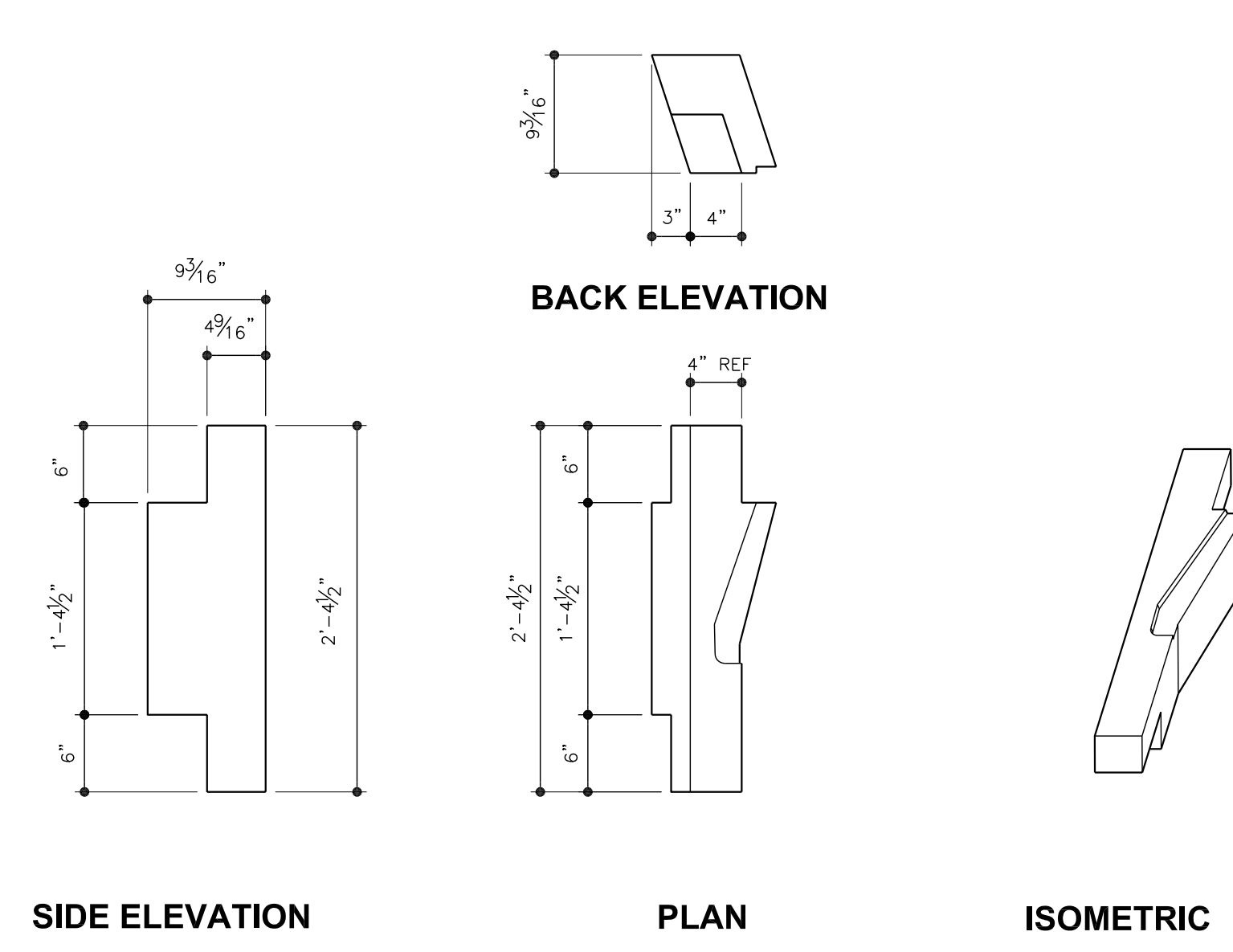
FireRock

The fireplace, *rekindled.*
**LITEROCK FIREPLACE-
 INDIVIDUAL COMPONENTS**



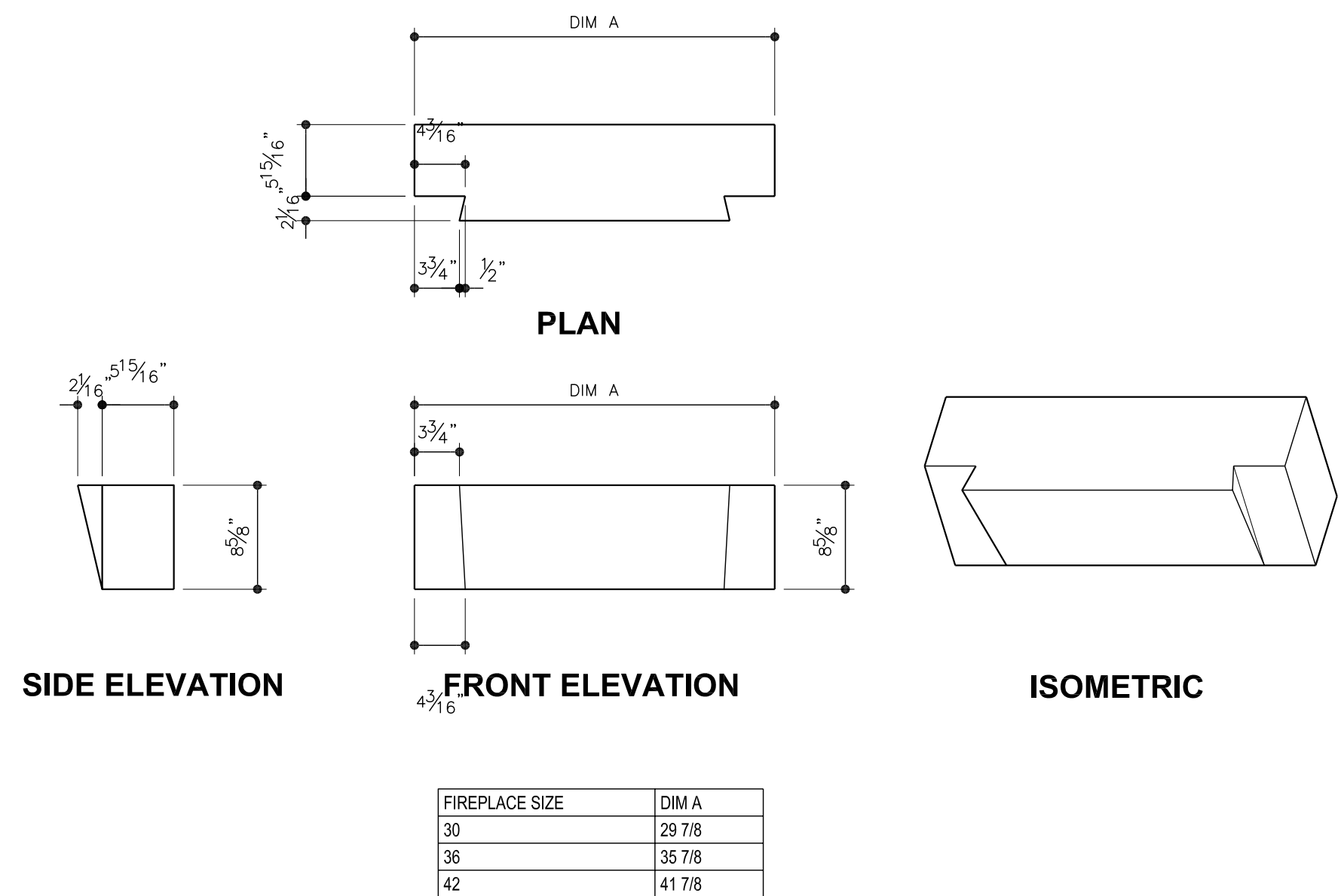
7 SQUARE THROAT BACK

SCALE: 1" = 1'-0"



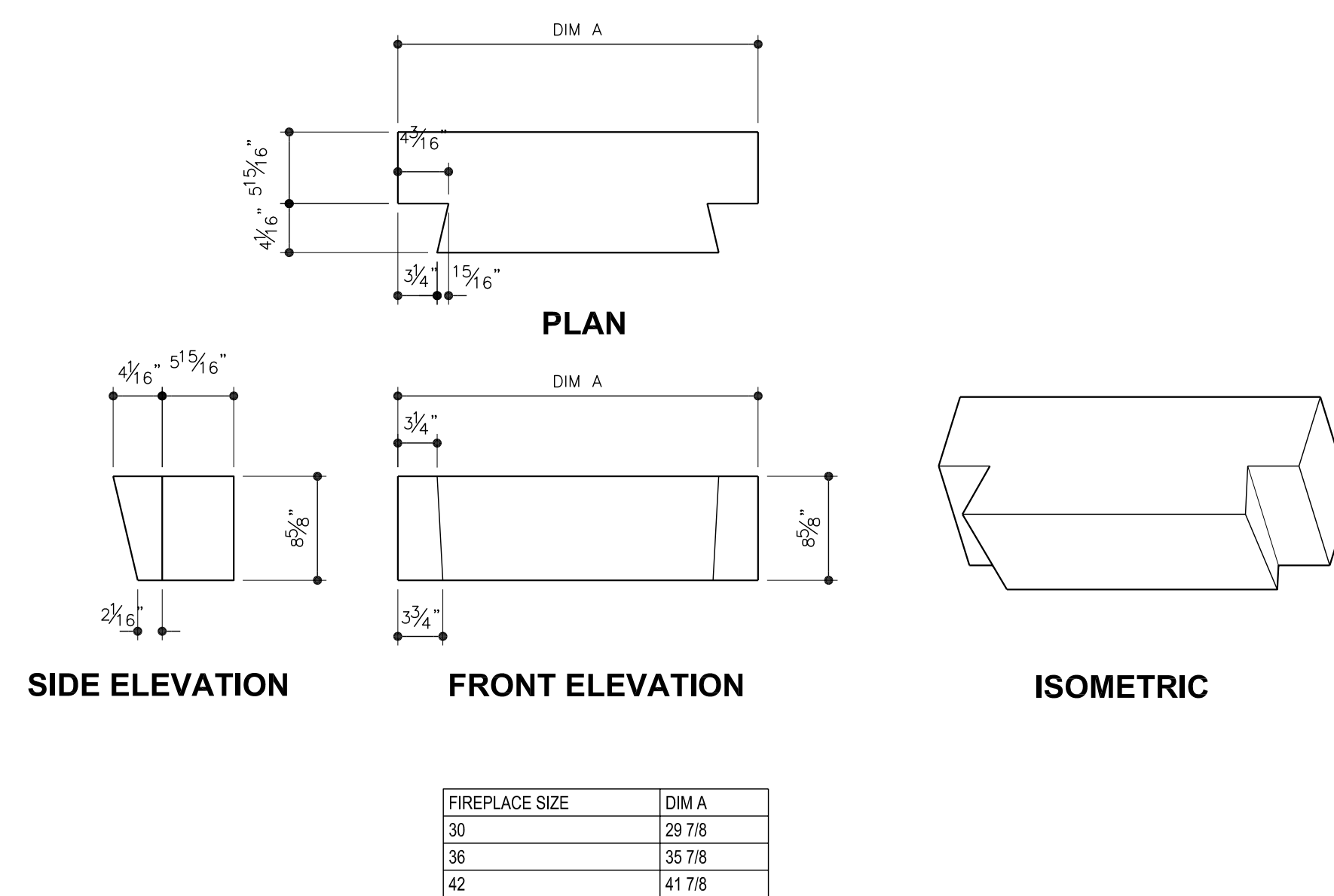
8 THROAT LEFT SIDE

SCALE: 1" = 1'-0"



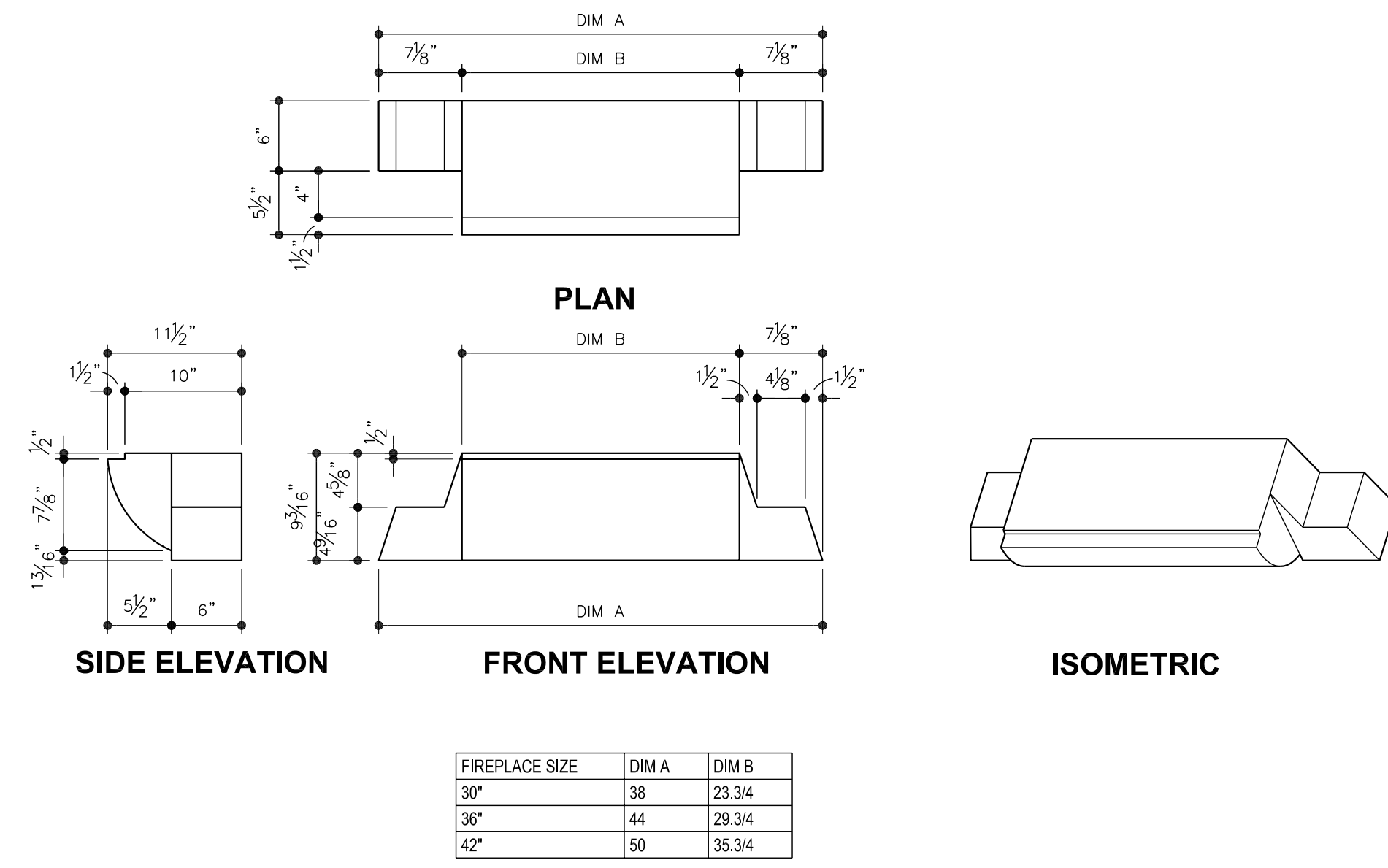
4 FIREBOX BACK- LEVEL 3

SCALE: 1" = 1'-0"



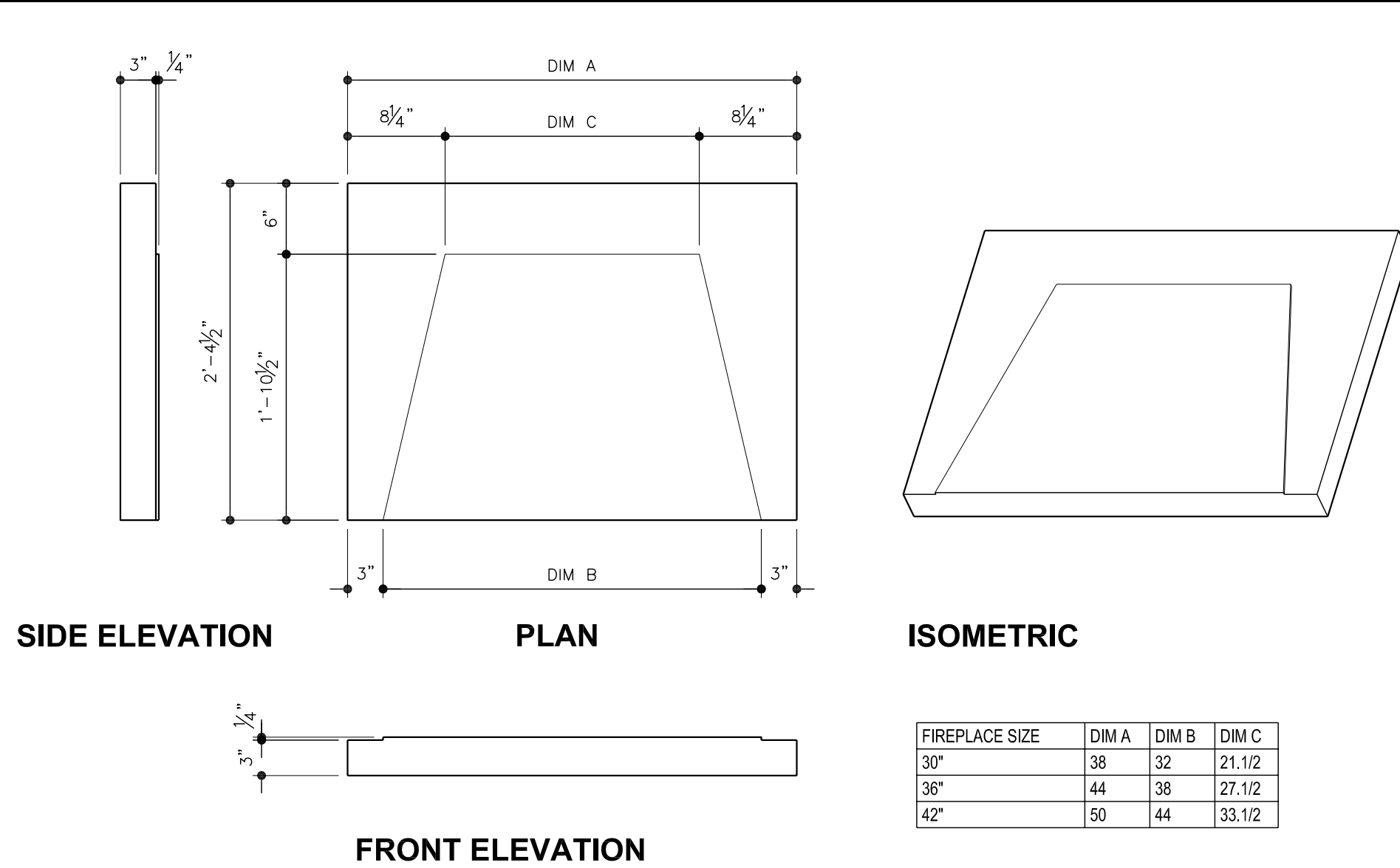
5 FIREBOX BACK- LEVEL 4

SCALE: 1" = 1'-0"



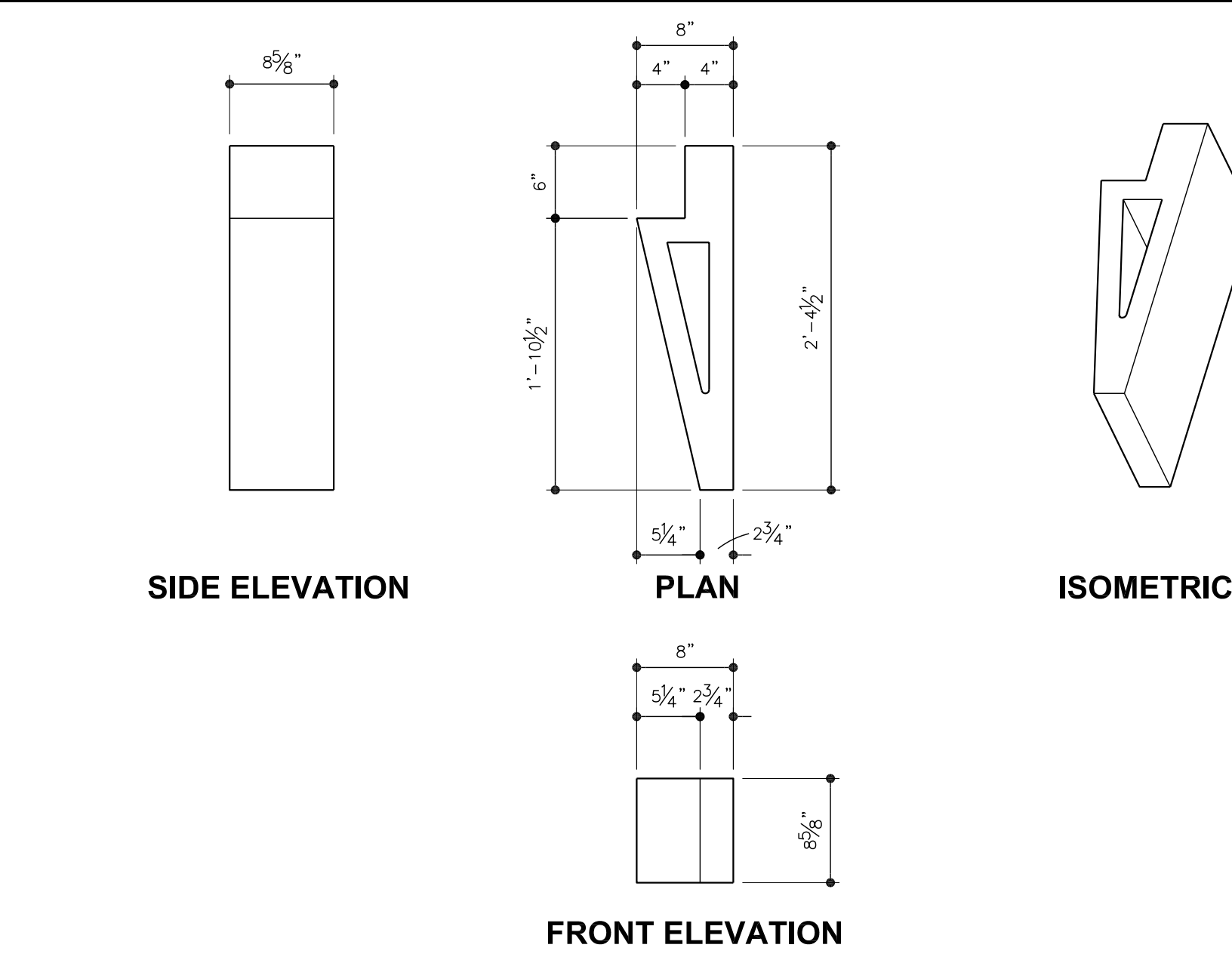
6 RADIUS THROAT FRONT

SCALE: 1" = 1'-0"



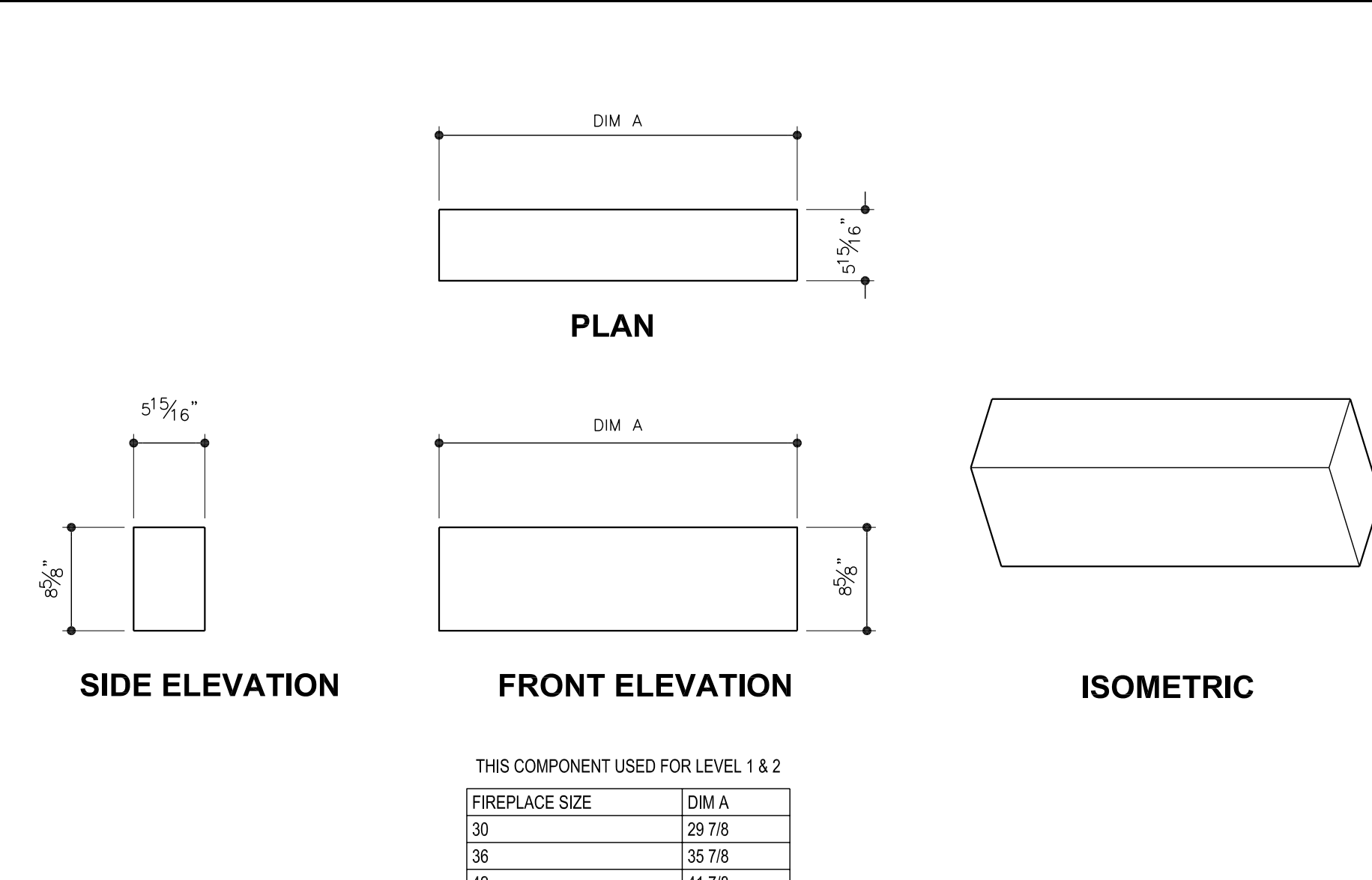
1 BASE PLATE

SCALE: 1" = 1'-0"



2 FIREBOX SIDE

SCALE: 1" = 1'-0"

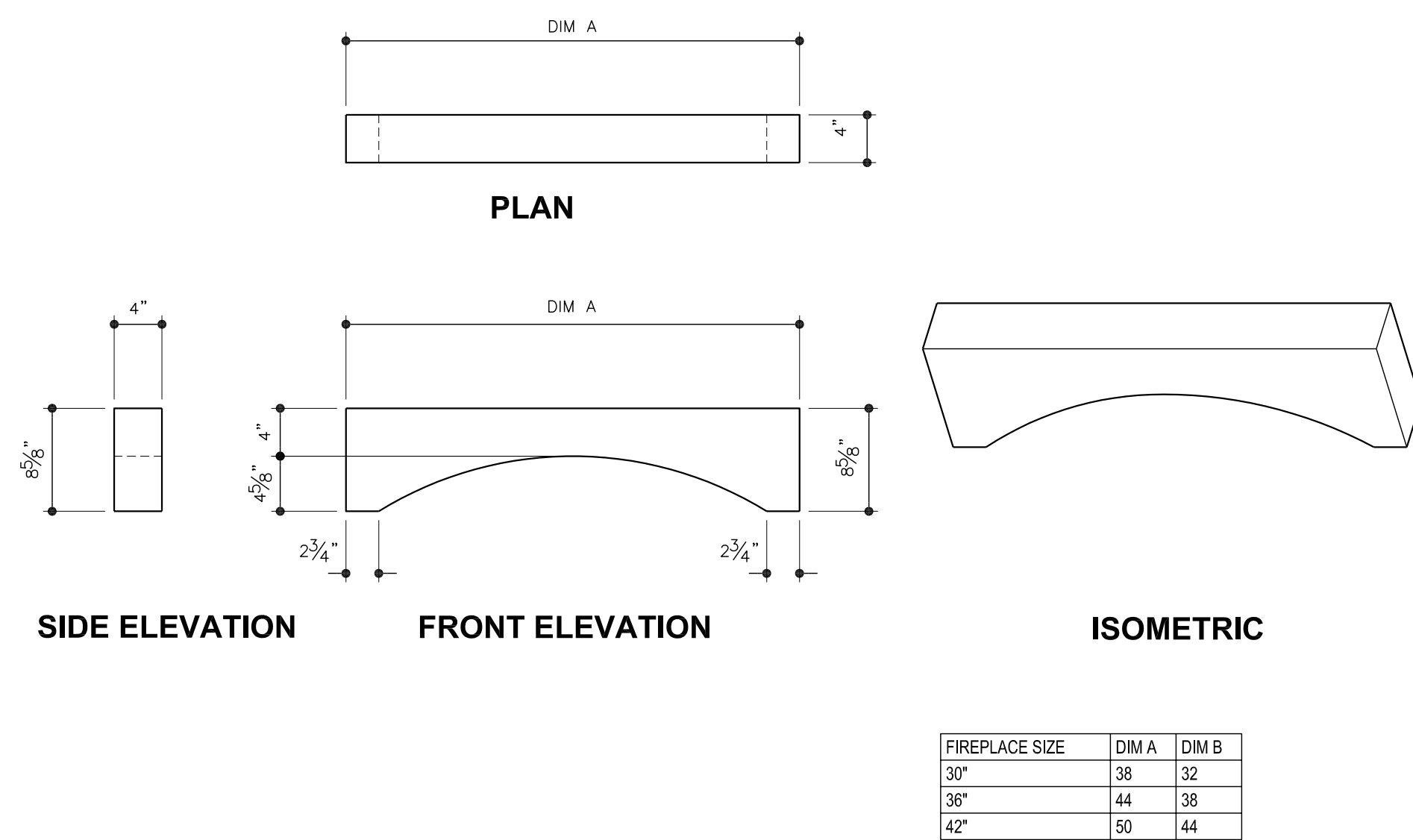


3 FIREBOX BACK- STRAIGHT BACK BLOCK

SCALE: 1" = 1'-0"

FireRock

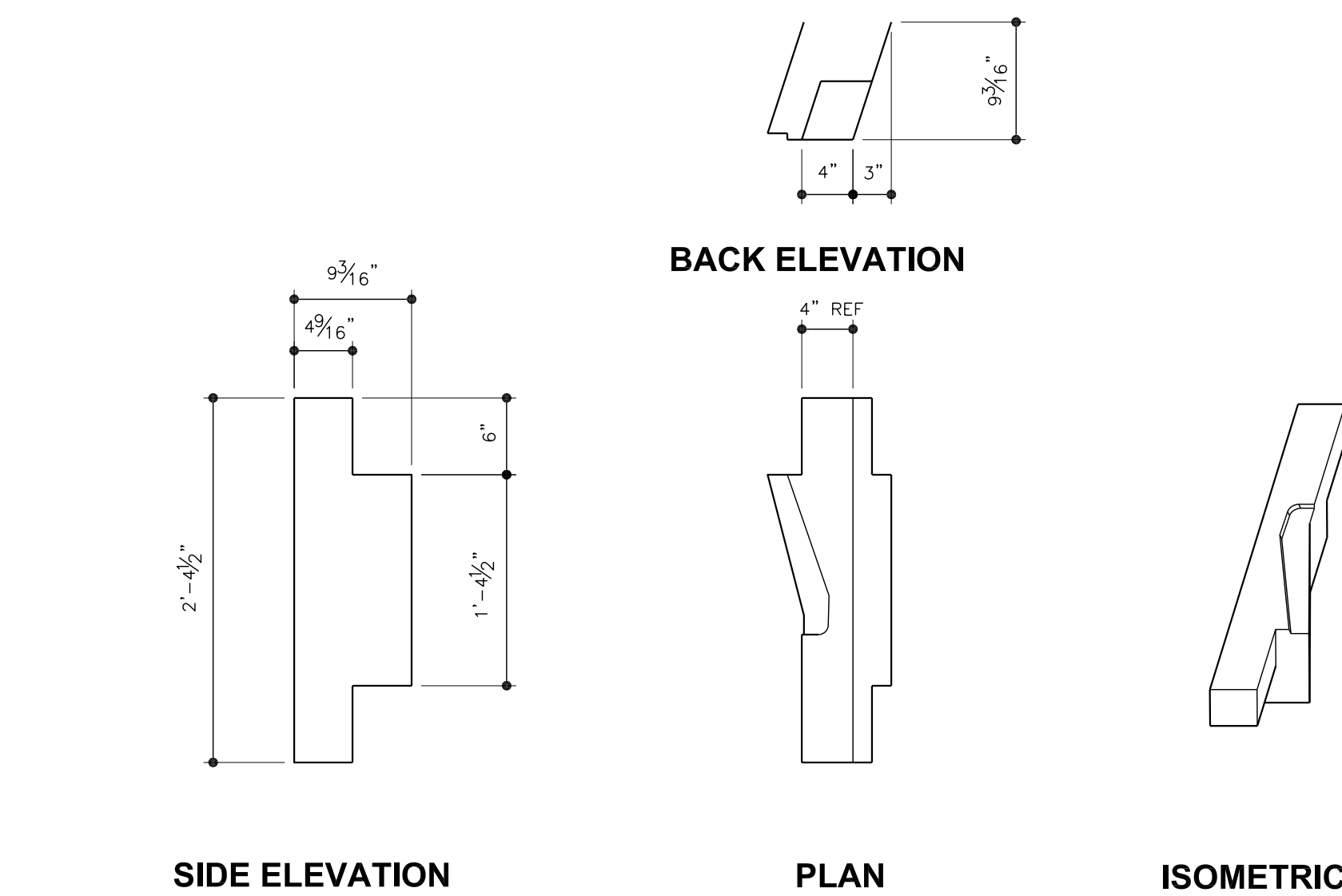
The fireplace, *rekindled.*
**LITEROCK FIREPLACE-
 INDIVIDUAL COMPONENTS**



20

**FIREBOX ARCHED HEADER
 (OPTIONAL)**

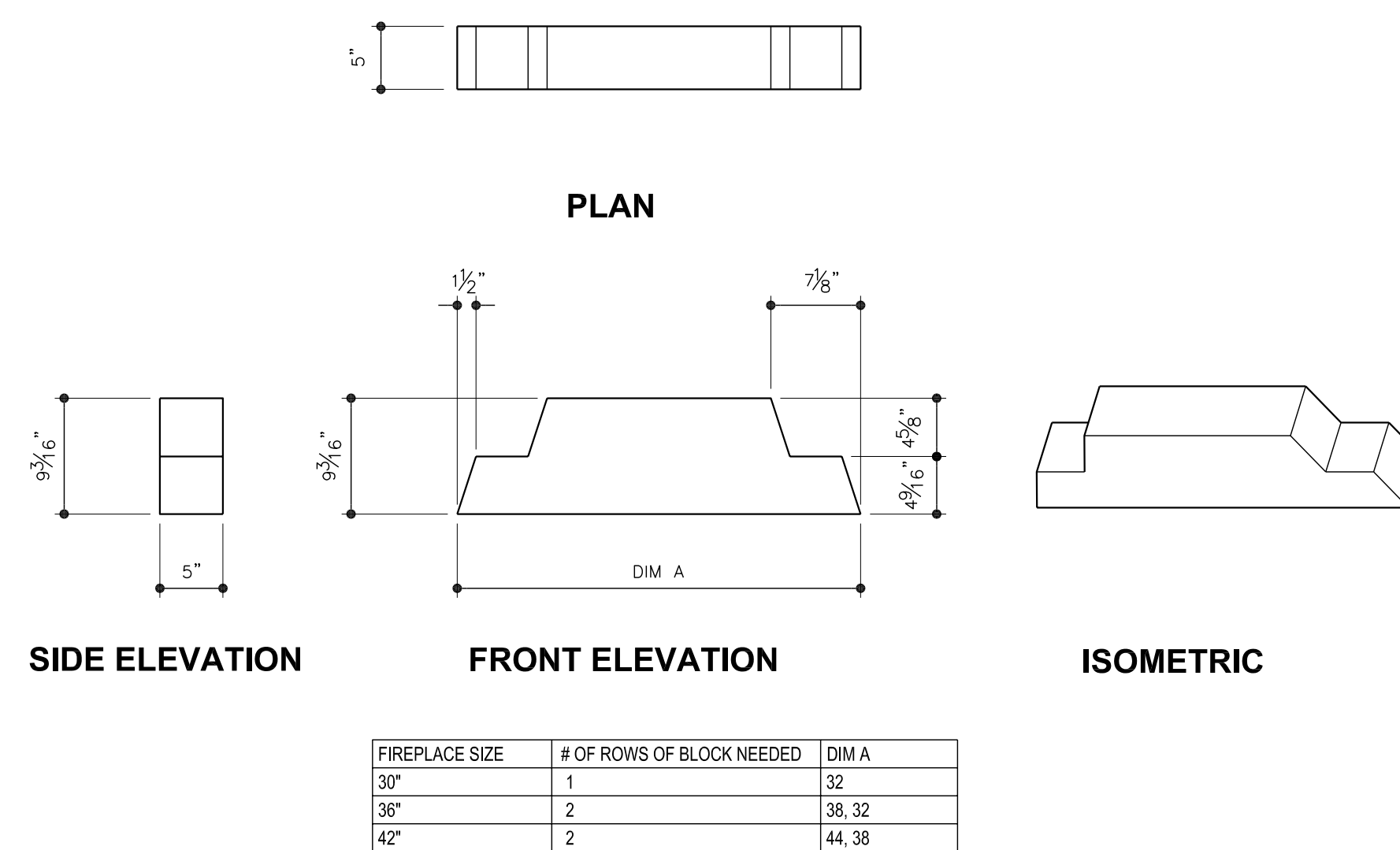
SCALE: 1" = 1'-0"



9

THROAT RIGHT SIDE

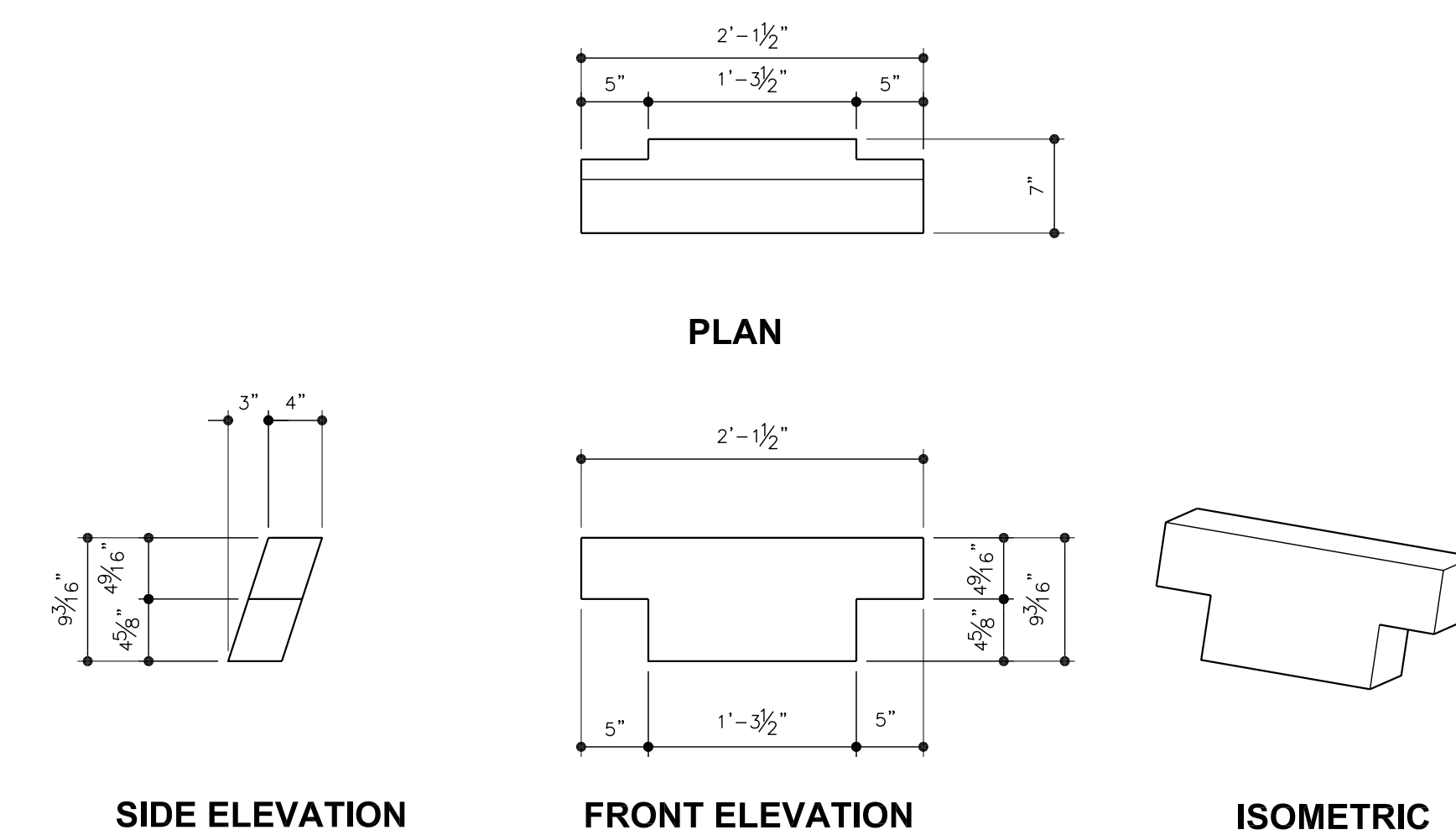
SCALE: 1" = 1'-0"



10

SMOKE CHAMBER FRONT AND BACK

SCALE: 1" = 1'-0"



11

UNIVERSAL SMOKE CHAMBER SIDES

SCALE: 1" = 1'-0"

RELEASE DATE 04/02/09

SCALE 1" = 1'-0"

SHEET

LR-2