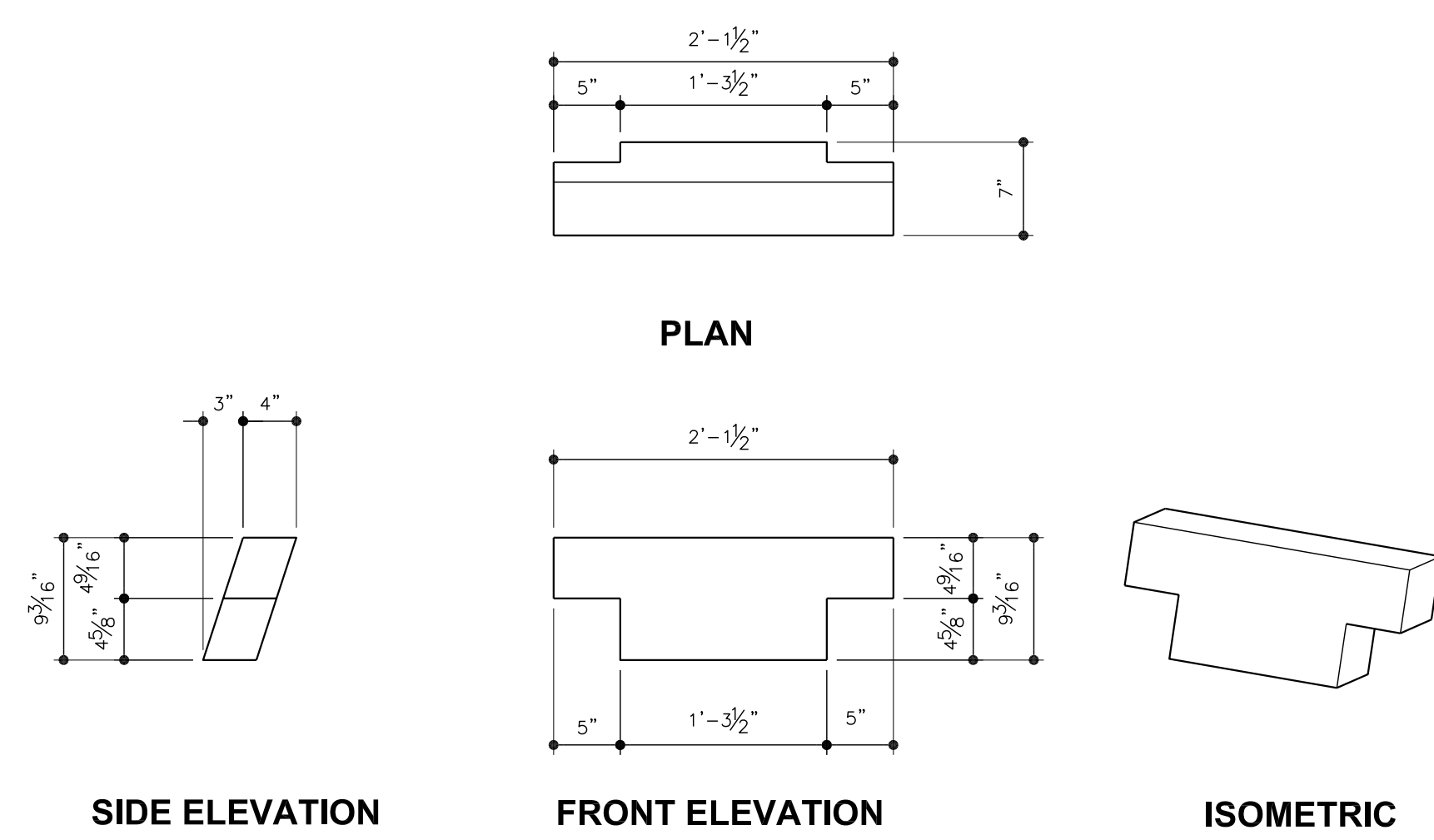


FIREPLACE SIZE	# OF ROWS OF BLOCK NEEDED	DIM A
30"	1	32
36"	1	38, 32
42"	2	44, 38

10 SMOKE CHAMBER FRONT AND BACK SCALE: 1" = 1'-0"

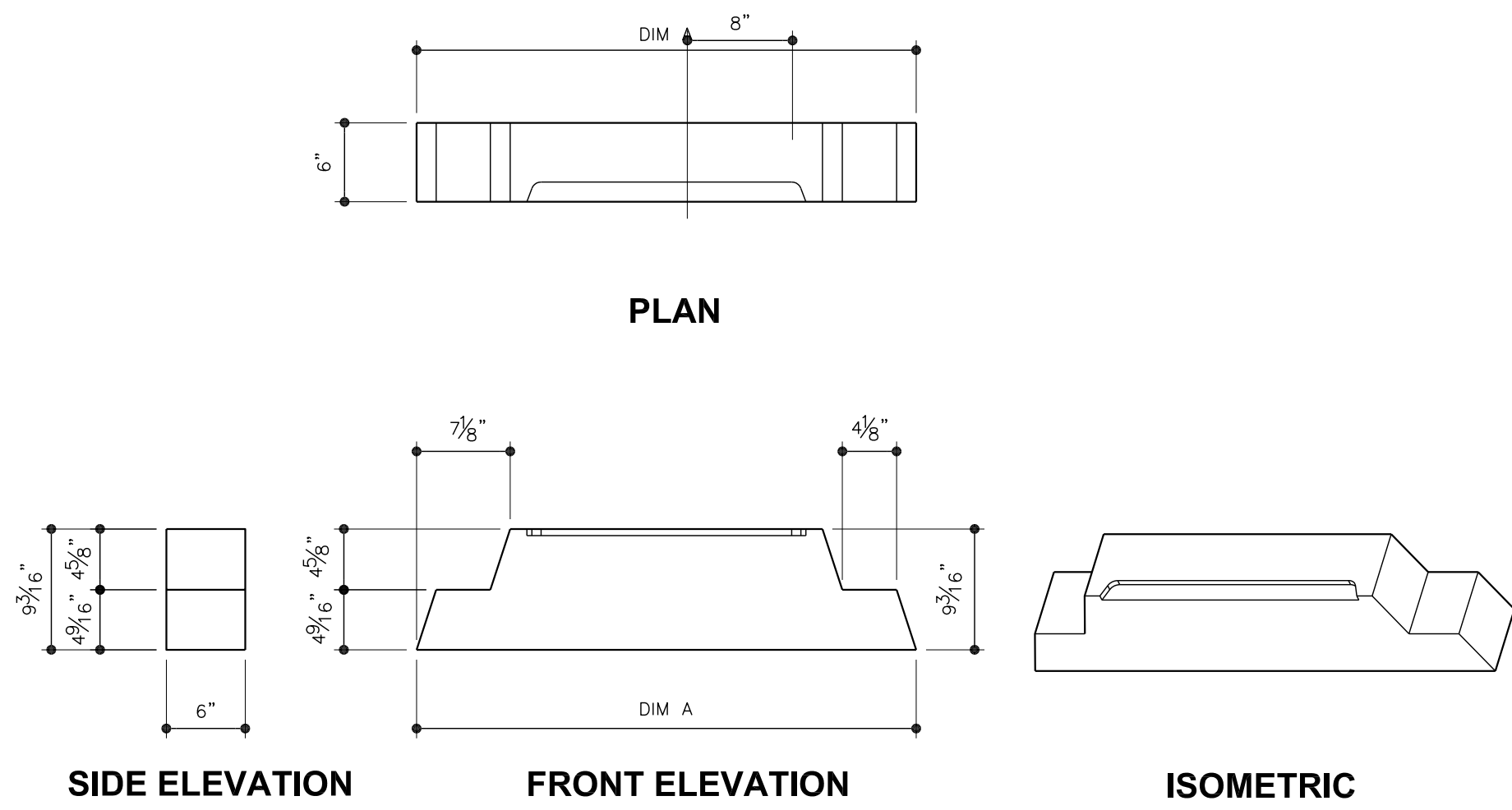


11 UNIVERSAL SMOKE CHAMBER SIDES SCALE: 1" = 1'-0"

FireRock

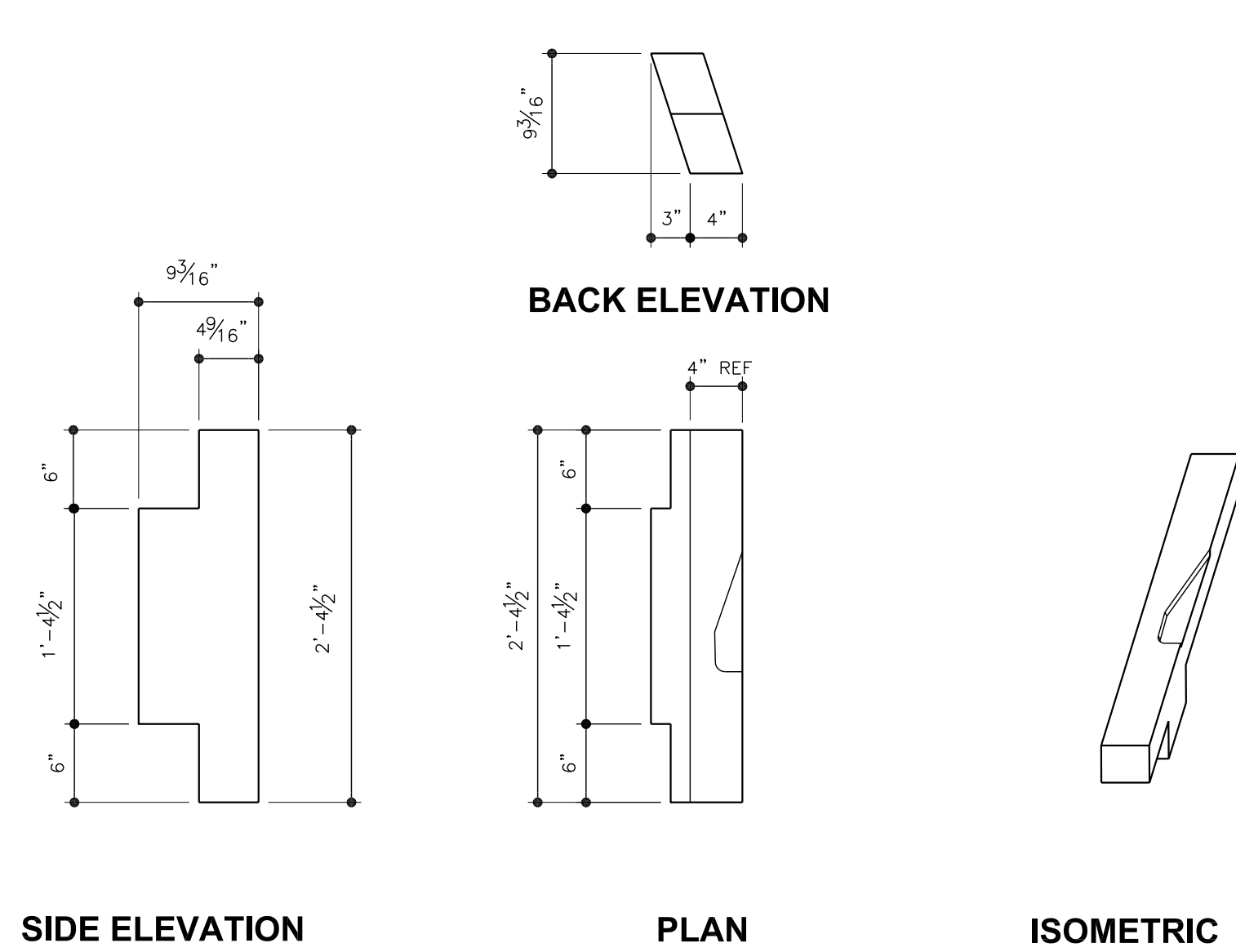
The fireplace, *rekindled.*

OUTDOOR FIREPLACE- INDIVIDUAL COMPONENTS

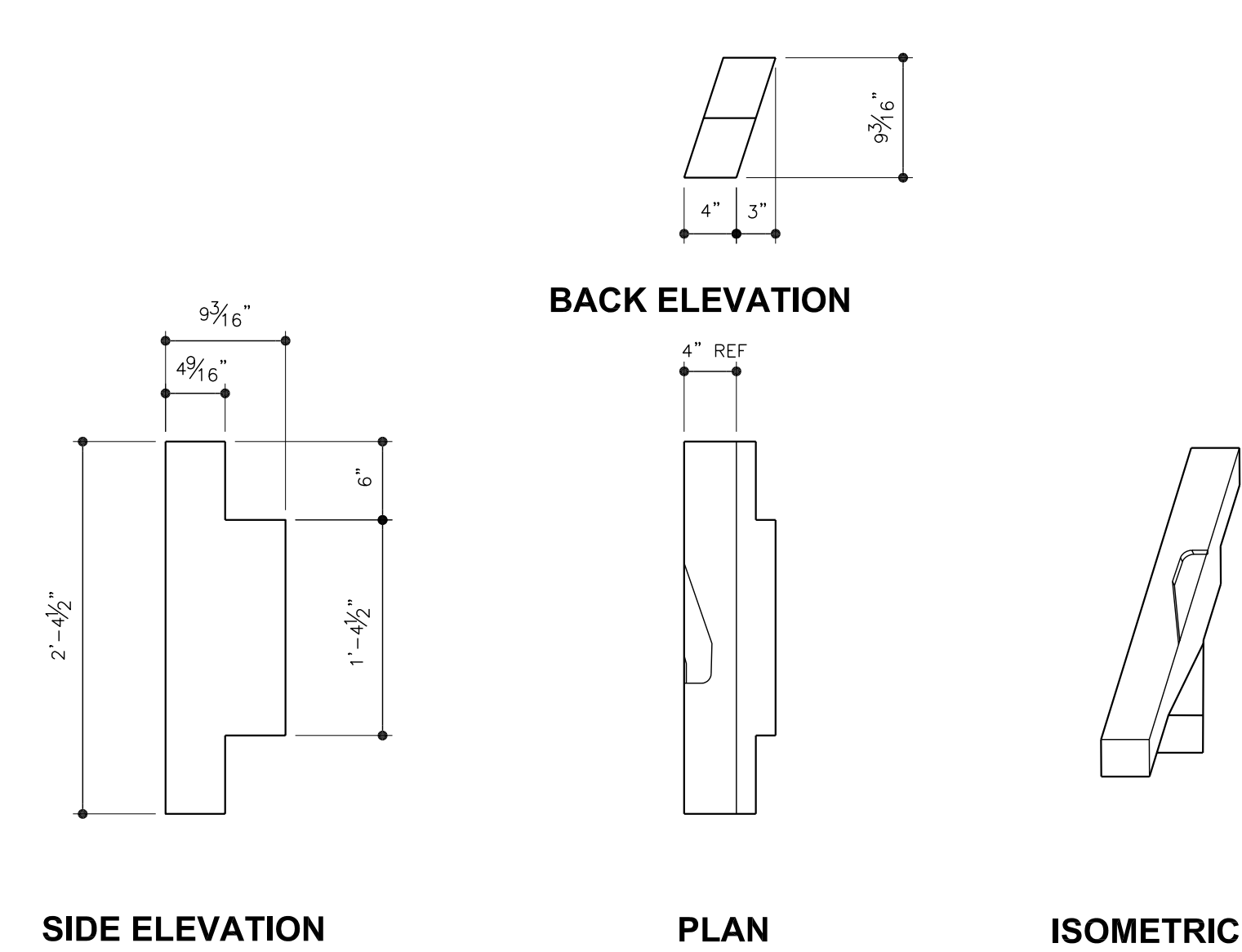


FIREPLACE SIZE	DIM A
30"	38
36"	44
42"	50
48"	56

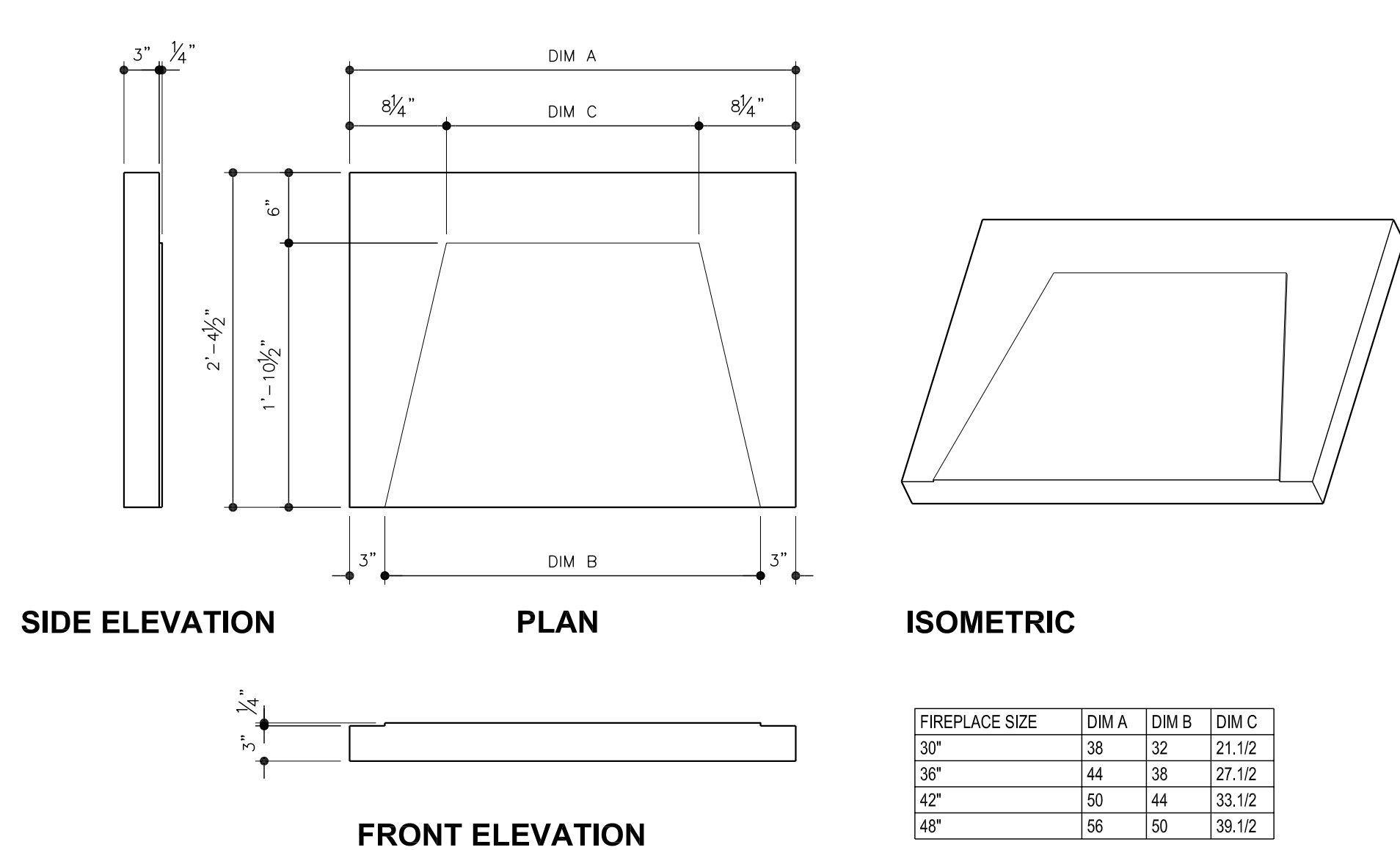
7 SQUARE THROAT SCALE: 1" = 1'-0"



8 THROAT LEFT SIDE SCALE: 1" = 1'-0"

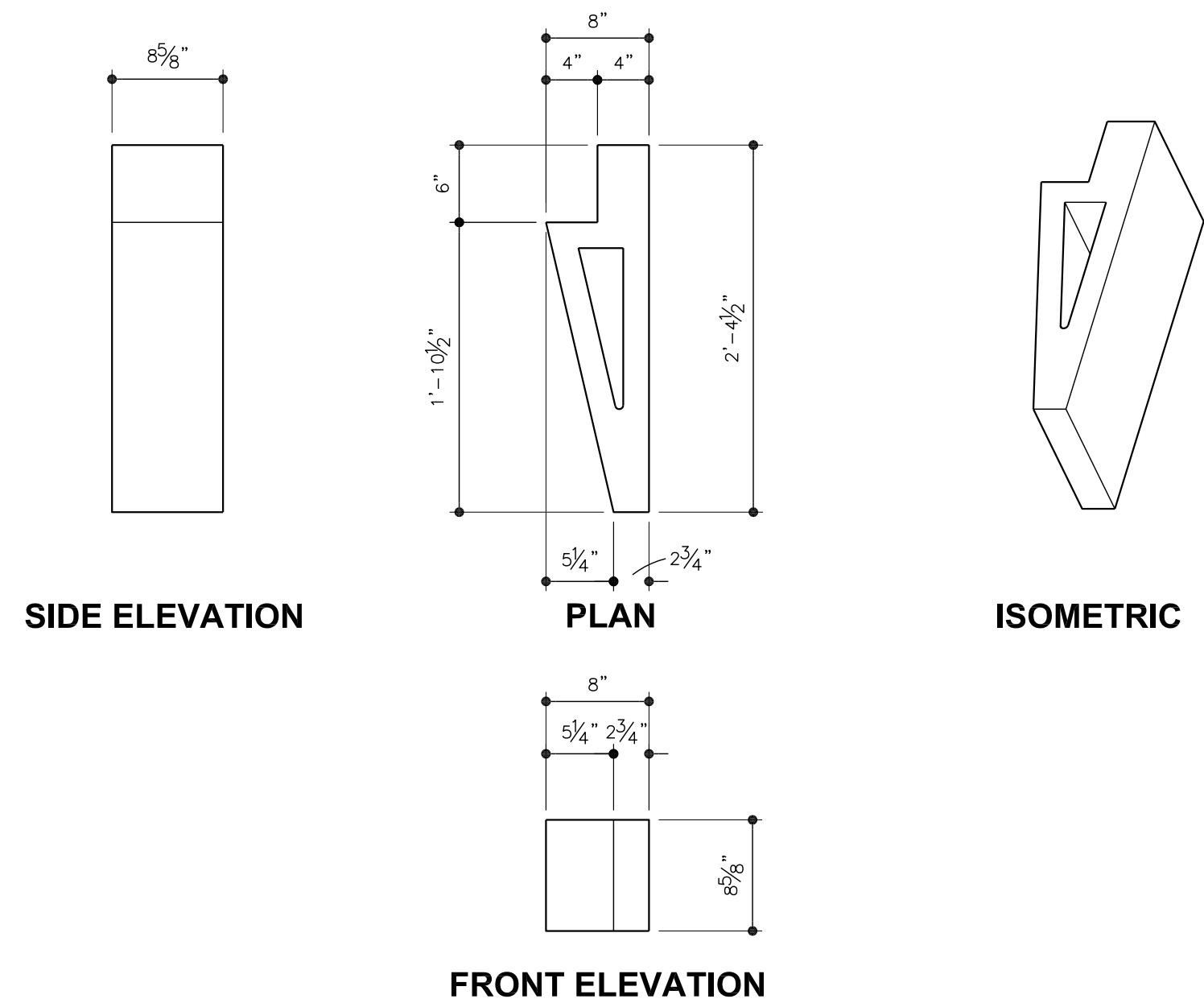


9 THROAT RIGHT SIDE SCALE: 1" = 1'-0"

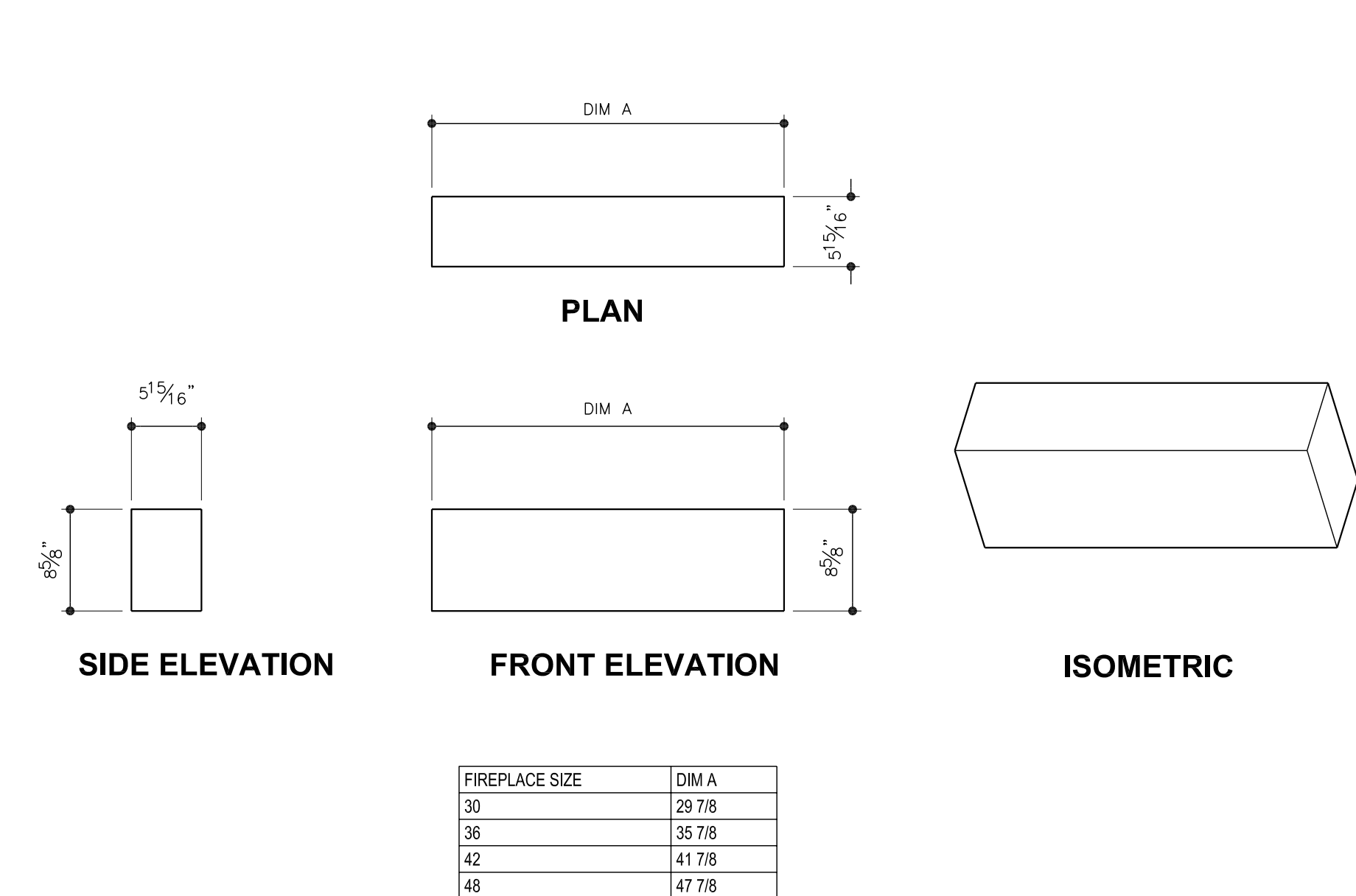


FIREPLACE SIZE	DIM A	DIM B	DIM C
30"	38	32	21-1/2
36"	44	38	27-1/2
42"	50	44	33-1/2
48"	56	50	39-1/2

1 BASE PLATE SCALE: 1" = 1'-0"



2 FIREBOX SIDE SCALE: 1" = 1'-0"



FIREPLACE SIZE	DIM A
30	29 7/8
36	35 7/8
42	41 7/8
48	47 7/8

3 FIREBOX BACK- STRAIGHT BACK BLOCK SCALE: 1" = 1'-0"

RELEASE DATE 04/02/09

SCALE 1" = 1'-0"

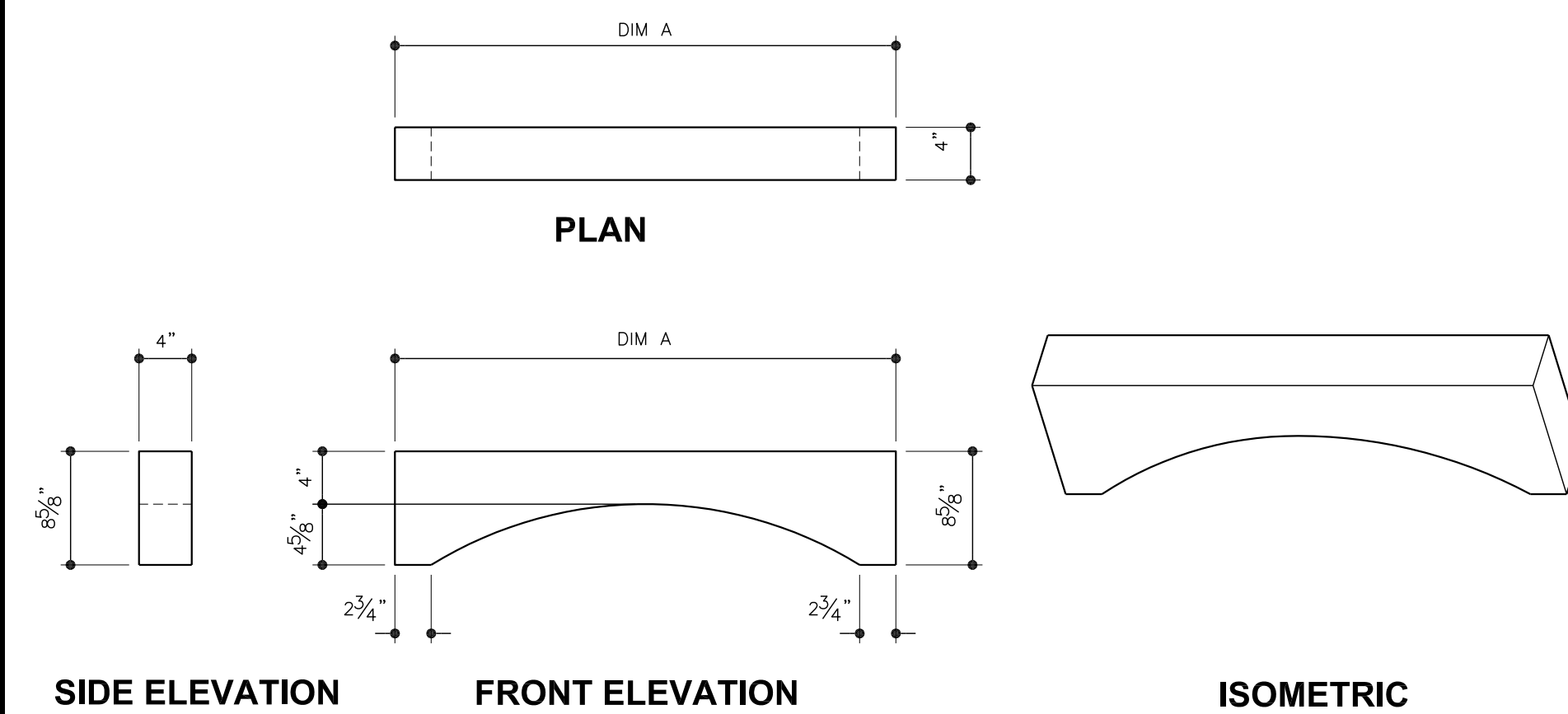
SHEET

OD-1

FireRock

The fireplace, *rekindled.*

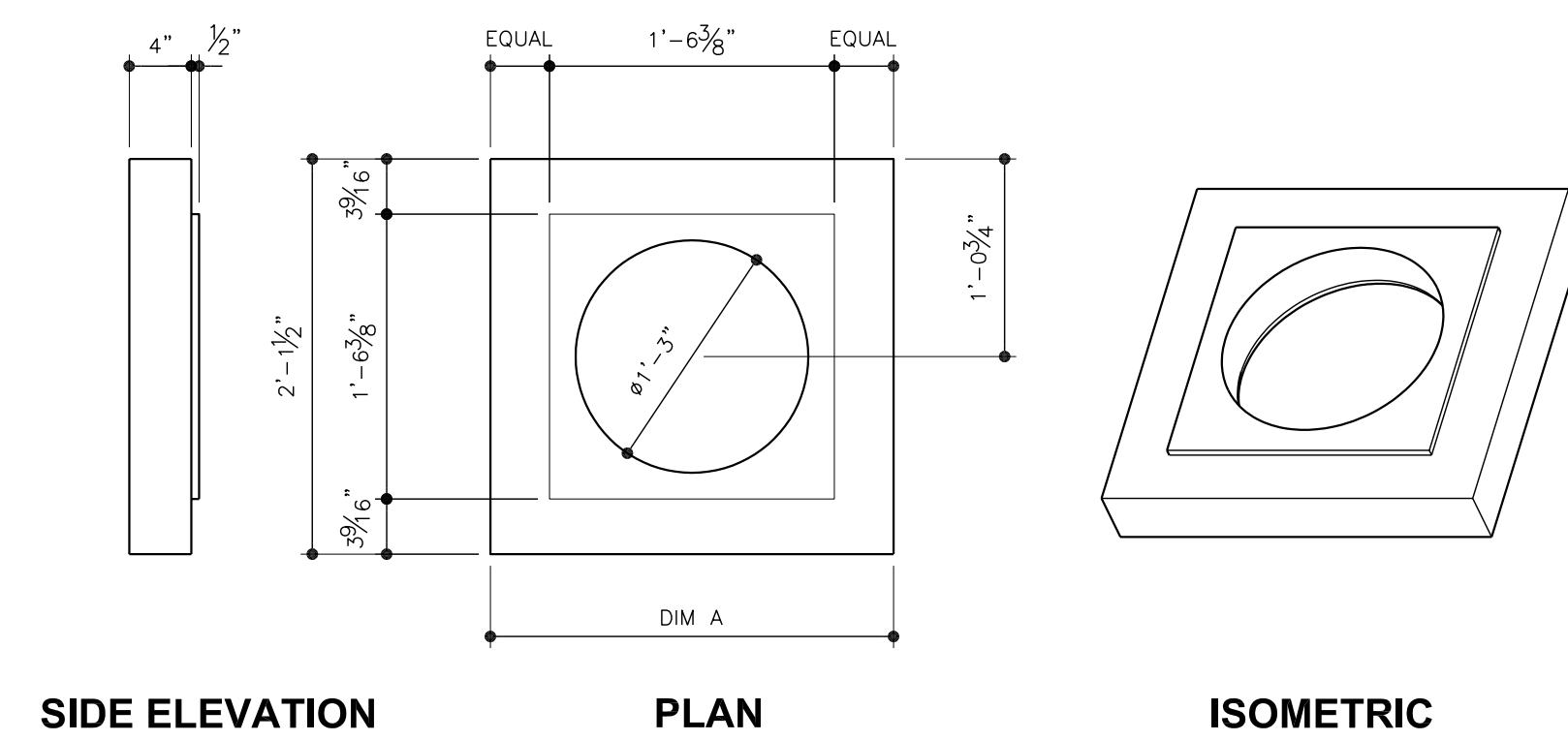
OUTDOOR FIREPLACE- INDIVIDUAL COMPONENTS



FIREPLACE SIZE	DIM A	DIM B
30"	38	32
36"	44	38
42"	50	44

20 FIREBOX ARCHED HEADER
(OPTIONAL)

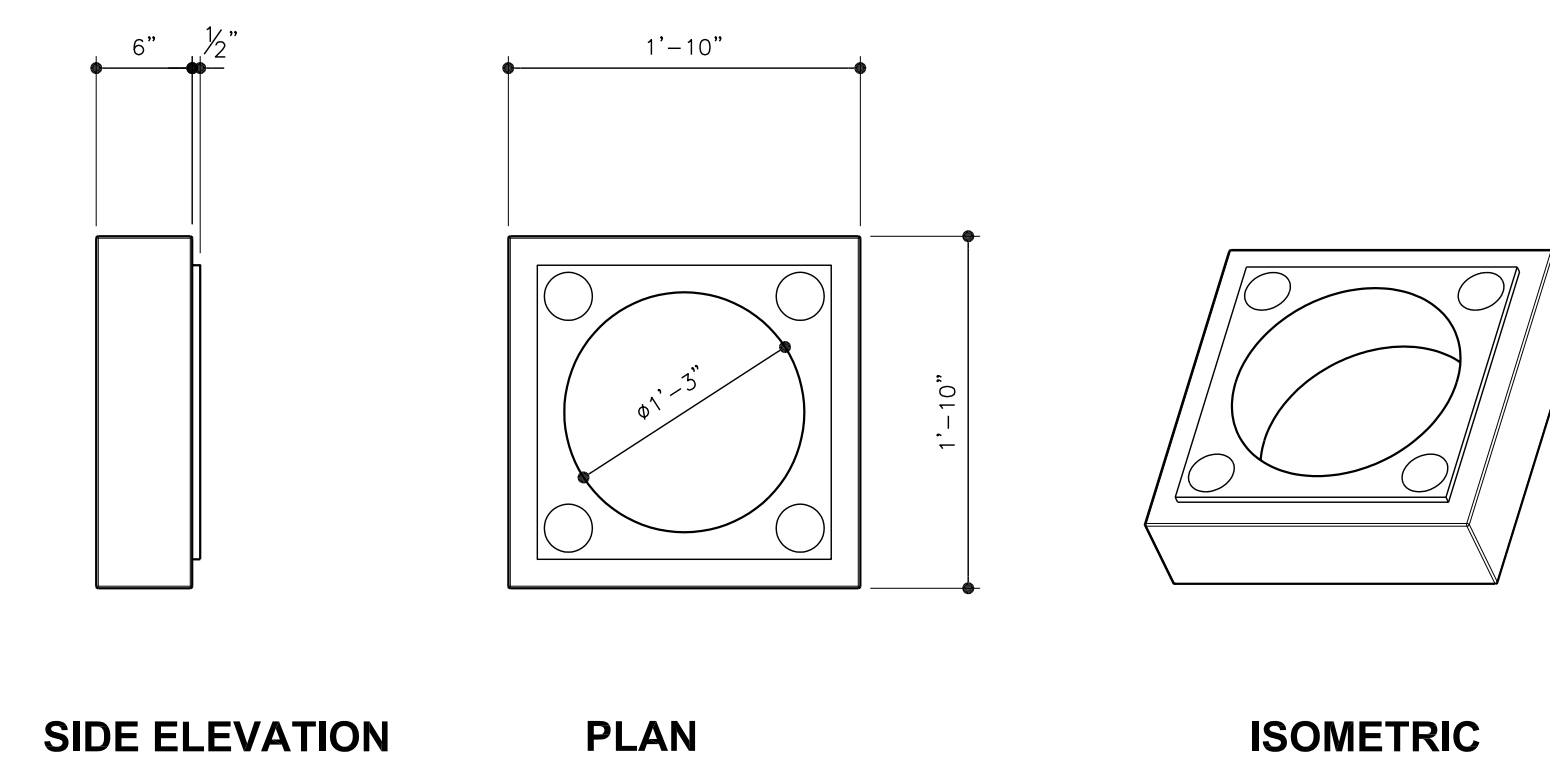
SCALE: 1" = 1'-0"



FIREPLACE SIZE	DIM A
30"	26
36"	26
42"	32

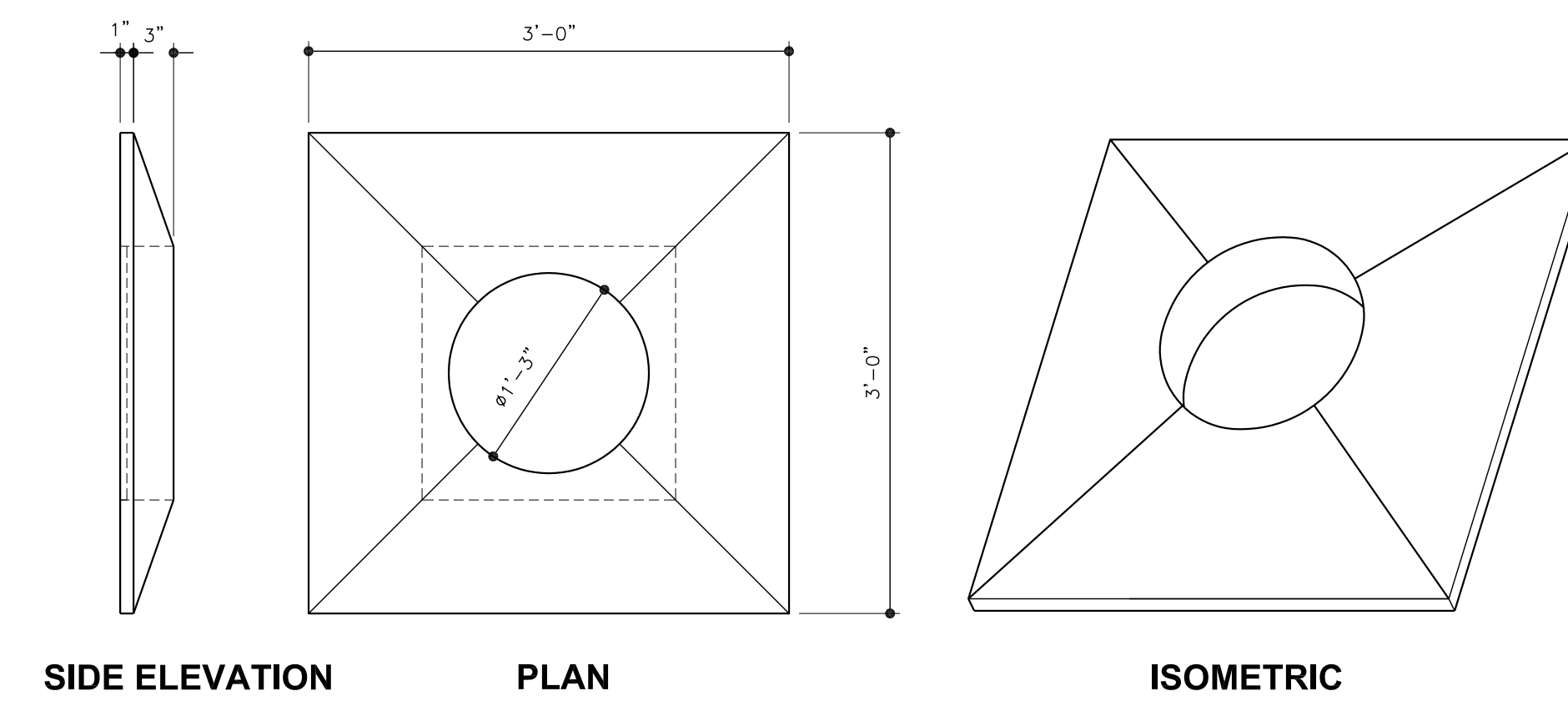
12 CHIMNEY BASE

SCALE: 1" = 1'-0"



13 CHIMNEY BLOCK

SCALE: 1" = 1'-0"



CHIMNEY SIZE	DIM A
SMALL	26
LARGE	32

17 CHIMNEY CAP
(OPTIONAL)

SCALE: 1" = 1'-0"

RELEASE DATE 04/02/09

SCALE 1" = 1'-0"

SHEET

OD-2